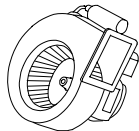
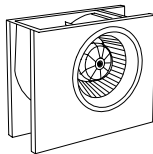
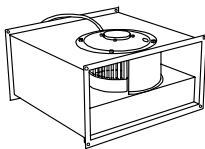




Fans For Explosion Hazardous Areas



- GB Operating and maintenance instructions
- SE Drift och underhållsinstruktion
- DE Betriebsanleitung
- FI Käyttö- ja huolto-ohjeet
- DK Drift- og vedligeholdelseinstruktion
- RU Инструкция по монтажу
- EE Kasutus- ja hooldusjuhend
- RO Instrucțiuni de functionare si intretinere
- HU Telepítési, üzemeltetési és karbantartási útmutató
- LV Lietošanas un apkalpošanas instrukcijas
- CZ Návody na montáž a údržbu
- PL Instrukcja montażu i eksploatacji
- TR İşletim ve bakım klavuzu

Fan Type	
EX 140-2C, 140-4C & 180-4C	
EX 140-2, 140-4 & 180-4	
DKEX	
KTEX-series	
DVEX-series	

Diagram	
	9
	10
	11
	11
	11

Fig. 7

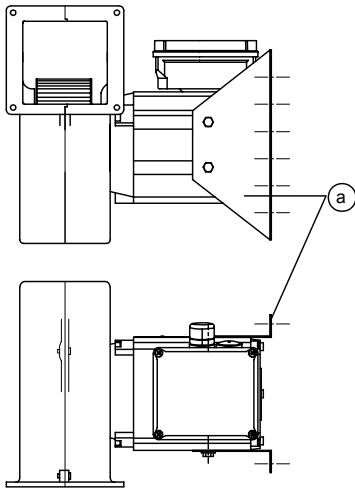
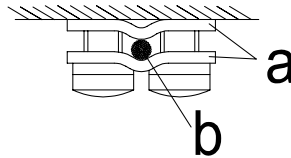
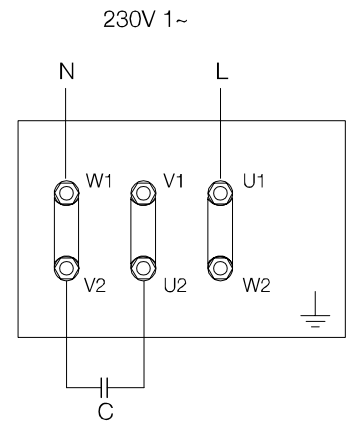


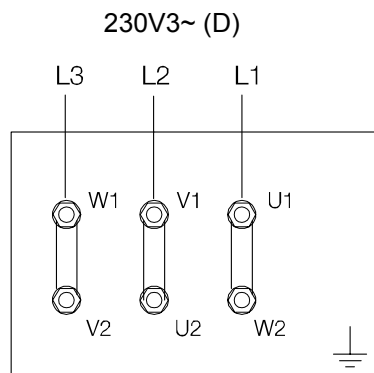
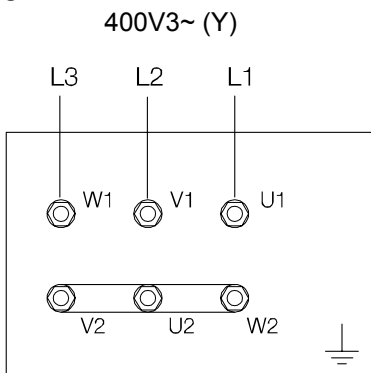
Fig. 8



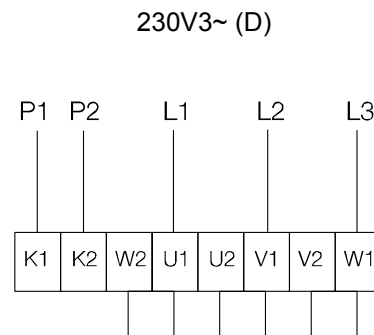
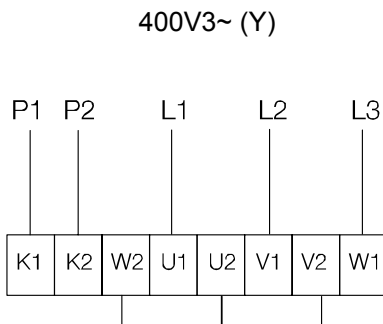
9

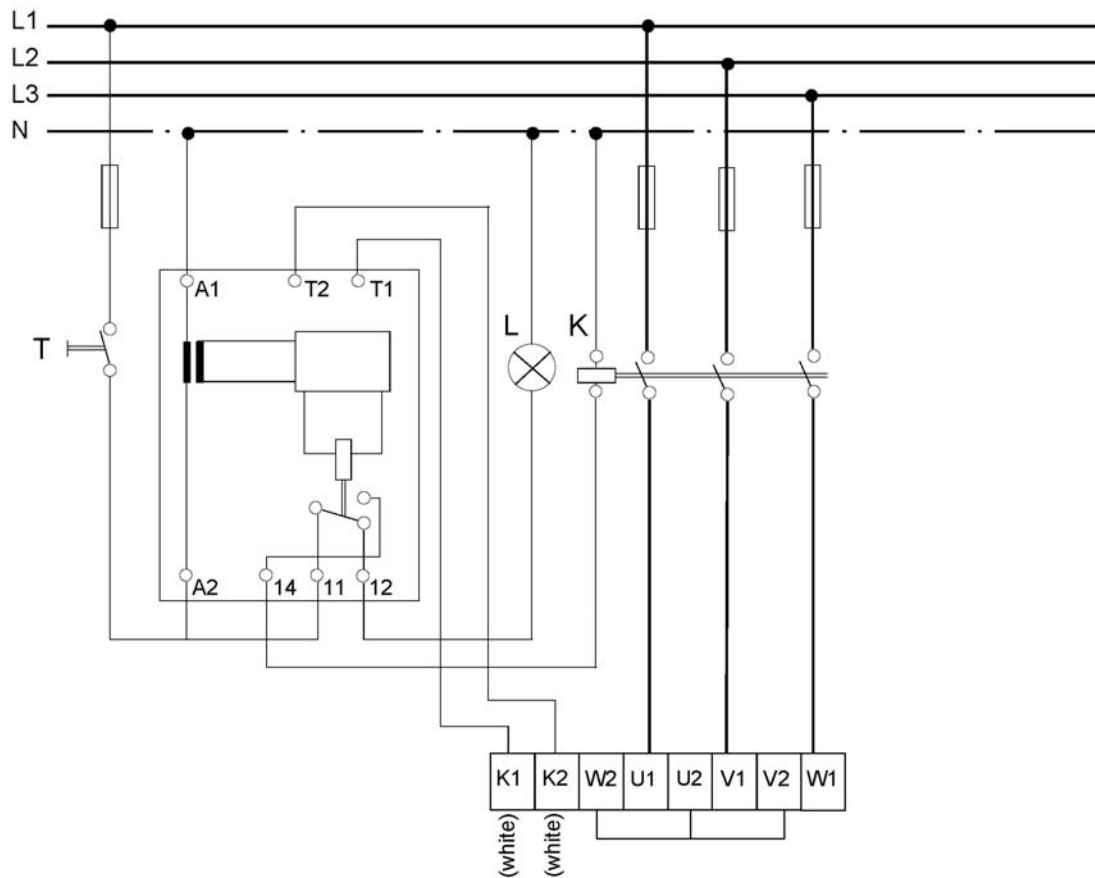
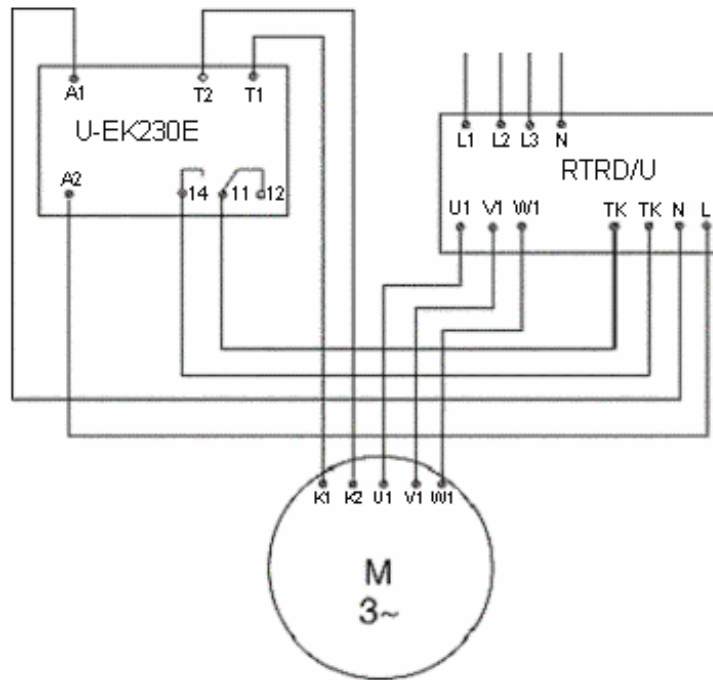


10



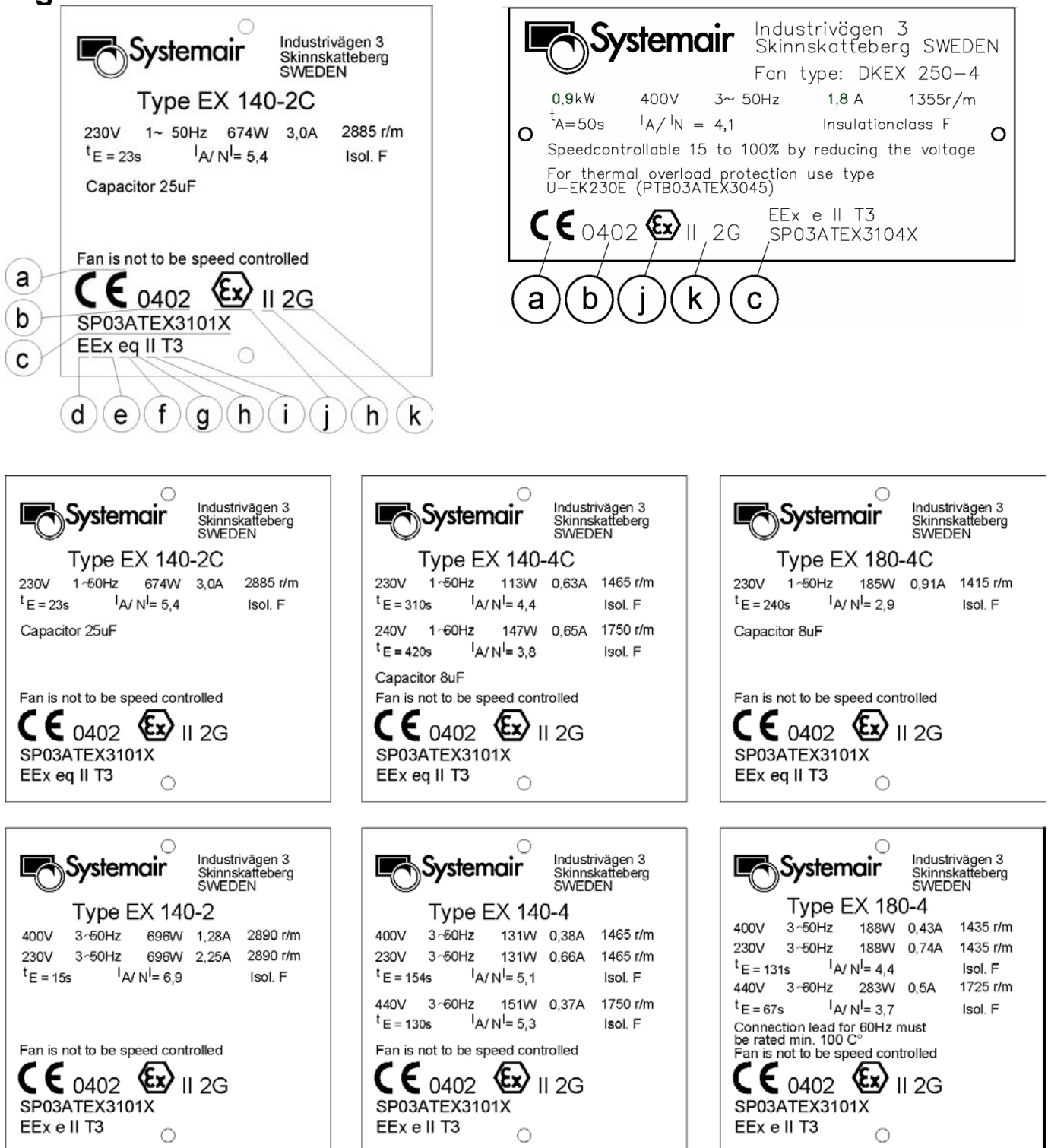
11





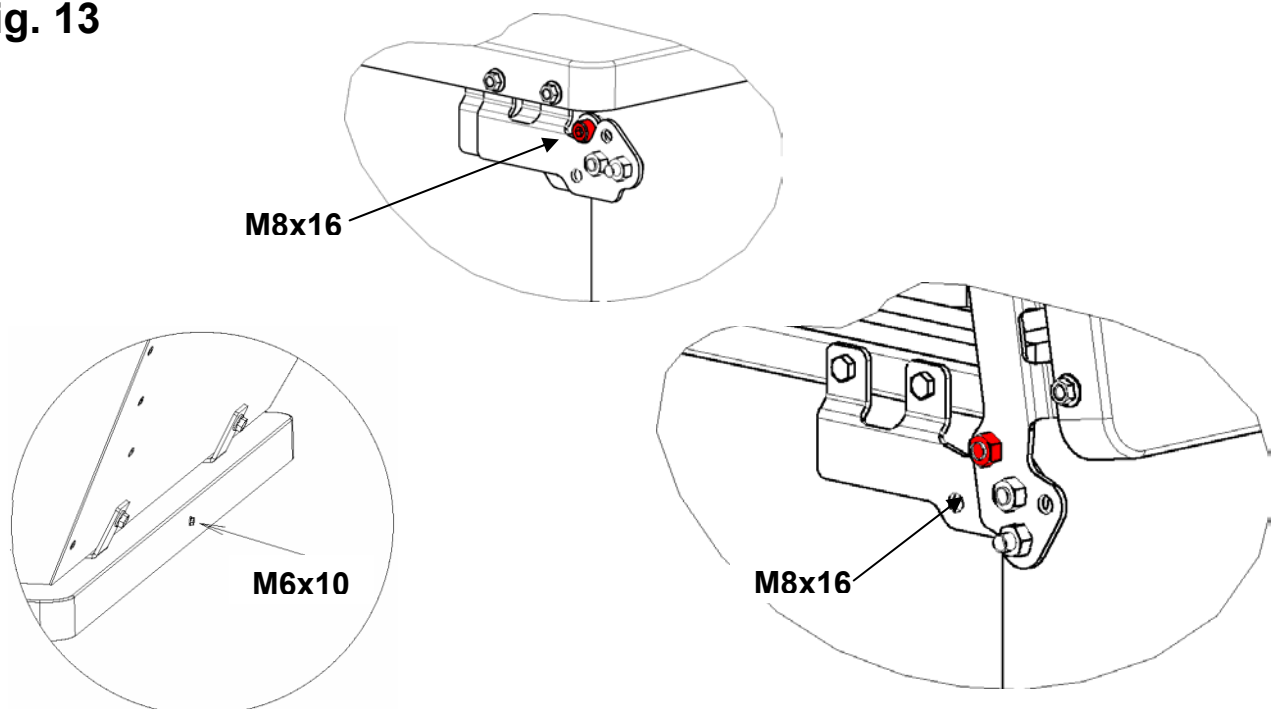
Connection box for DKEX, KTEX or DVEX

Fig. 12



<p>Industrivägen 3 Skinskatteberg SWEDEN Fan type: DVEX 560D6 0,62kW 230/400V 3~ 50Hz 2,13/1,23A 900r/m $t_A=100s$ $I_A/N = 3,1$ Insulationclass F Speedcontrollable 15 to 100% by reducing the voltage For thermal overload protection use type U-EK230E (PTB03ATEX3045) CE 0402 Ex II 2G EEx e II T3 SP05ATEX3118X</p>	<p>Industrivägen 3 Skinskatteberg SWEDEN Fan type: DVEX 630D6 1,07kW 230/400V 3~ 50Hz 3,72/2,15A 880r/m $t_A=160s$ $I_A/N = 3,2$ Insulationclass F Speedcontrollable 15 to 100% by reducing the voltage For thermal overload protection use type U-EK230E (PTB03ATEX3045) CE 0402 Ex II 2G EEx e II T3 SP04ATEX3119X</p>	<p>Seehöfer Strasse 45 Windischbuch GERMANY Fan type: DVEX 315D4 0,12kW 400V 3~ 50Hz 0,23A 1340r/m $t_A=190s$ $I_A/N = 2,0$ Insulationclass F Speedcontrollable 15 to 100% by reducing the voltage For thermal overload protection use type U-EK230E (PTB03ATEX3045) CE 0820 Ex II 2G EEx e II T3 SP07ATEX3129X</p>
<p>Seehöfer Strasse 45 Windischbuch GERMANY Fan type: DVEX 315D4 0,12kW 230V 3~ 50Hz 0,40A 1340r/m $t_A=190s$ $I_A/N = 2,0$ Insulationclass F Speedcontrollable 15 to 100% by reducing the voltage For thermal overload protection use type U-EK230E (PTB03ATEX3045) CE 0820 Ex II 2G EEx e II T3 SP07ATEX3129X</p>	<p>Seehöfer Strasse 45 Windischbuch GERMANY Fan type: DVEX 355D4 0,26kW 230/400V 3~ 50Hz 0,81/0,47A 1340r/m $t_A=81s$ $I_A/N = 3,4$ Insulationclass F Speedcontrollable 15 to 100% by reducing the voltage For thermal overload protection use type U-EK230E (PTB03ATEX3045) CE 0820 Ex II 2G EEx e II T3 SP07ATEX3130X</p>	<p>Seehöfer Strasse 45 Windischbuch GERMANY Fan type: DVEX 400D4 0,39kW 230/400V 3~ 50Hz 1,31/0,76A 1350r/m $t_A=81s$ $I_A/N = 3,4$ Insulationclass F Speedcontrollable 15 to 100% by reducing the voltage For thermal overload protection use type U-EK230E (PTB03ATEX3045) CE 0820 Ex II 2G EEx e II T3 SP07ATEX3131X</p>
<p>Seehöfer Strasse 45 Windischbuch GERMANY Fan type: DVEX 450D4 0,72kW 230/400V 3~ 50Hz 2,46/1,42A 1360r/m $t_A=50s$ $I_A/N = 4,1$ Insulationclass F Speedcontrollable 15 to 100% by reducing the voltage For thermal overload protection use type U-EK230E (PTB03ATEX3045) CE 0820 Ex II 2G EEx e II T3 SP07ATEX3132X</p>	<p>Seehöfer Strasse 45 Windischbuch GERMANY Fan type: DVEX 500D6 0,38kW 230/400V 3~ 50Hz 1,50/0,87A 870r/m $t_A=170s$ $I_A/N = 2,3$ Insulationclass F Speedcontrollable 15 to 100% by reducing the voltage For thermal overload protection use type U-EK230E (PTB03ATEX3045) CE 0820 Ex II 2G EEx e II T3 SP07ATEX3133X</p>	<p>Seehöfer Strasse 45 Windischbuch GERMANY Fan type: DVEX 560D6 0,62kW 230/400V 3~ 50Hz 2,13/1,23A 900r/m $t_A=100s$ $I_A/N = 3,1$ Insulationclass F Speedcontrollable 15 to 100% by reducing the voltage For thermal overload protection use type U-EK230E (PTB03ATEX3045) CE 0820 Ex II 2G EEx e II T3 SP07ATEX3134X</p>
<p>Seehöfer Strasse 45 Windischbuch GERMANY Fan type: DVEX 630D6 1,07kW 230/400V 3~ 50Hz 3,72/2,15A 880r/m $t_A=160s$ $I_A/N = 3,2$ Insulationclass F Speedcontrollable 15 to 100% by reducing the voltage For thermal overload protection use type U-EK230E (PTB03ATEX3045) CE 0820 Ex II 2G EEx e II T3 SP07ATEX3135X</p>		

Fig. 13



Manufacturer

Our products are manufactured in compliance with applicable EC standards and regulations.



Systemair AB
Industrivägen 3
SE-739 30 Skinnskatteberg
SWEDEN
Office: +46 222 440 00
Fax: +46 222 440 99

EC Declaration of Conformity

as defined by the EC's ATEX Directive 94/9EC.

Circular duct fan

Type	Certificate no	Authority
EX 140-2	SP03ATEX3101x	SP *
EX 140-2C	SP03ATEX3101x	SP
EX 140-4	SP03ATEX3101x	SP
EX 140-4C	SP03ATEX3101x	SP
EX 180-4	SP03ATEX3101x	SP
EX 180-4C	SP03ATEX3101x	SP
EX 140-2	SP03ATEX3101x	SP

Rectangular duct fan

Type	Certificate no	Authority
KTEX 50-25-4	SP04ATEX3105x	SP *
KTEX 50-30-4	SP03ATEX3103x	SP
KTEX 60-30-4	SP04ATEX3107x	SP
KTEX 60-35-4	SP04ATEX3109x	SP
KTEX 70-40-6	SP04ATEX3111x	SP

Radial fan

Type	Certificate no	Authority
DKEX 225-4	SP04ATEX3106x	SP *
DKEX 250-4	SP03ATEX3104x	SP
DKEX 280-4	SP04ATEX3108x	SP
DKEX 315-4	SP04ATEX3110x	SP
DKEX 355-6	SP04ATEX3112x	SP

Roof fan

Type	Certificate no	Authority
DVEX 315D4	SP04ATEX3113x	SP *
DVEX 315D4	SP07ATEX3129x	SP
DVEX 355D4	SP04ATEX3114x	SP
DVEX 355D4	SP07ATEX3130x	SP
DVEX 400D4	SP05ATEX3115x	SP
DVEX 400D4	SP07ATEX3131x	SP
DVEX 450D4	SP04ATEX3116x	SP
DVEX 450D4	SP07ATEX3132x	SP
DVEX 500D6	SP04ATEX3117x	SP
DVEX 500D6	SP07ATEX3133x	SP
DVEX 560D6	SP05ATEX3118x	SP
DVEX 560D6	SP07ATEX3134x	SP
DVEX 630D6	SP04ATEX3119x	SP
DVEX 630D6	SP07ATEX3135x	SP

*SP= Swedish National Testing and Research Institute, SE-501 15 BORÅS, Sweden.

The following harmonized standards are in use:

EN 50 014: 1997+A1 +A2
Explosion protected electrical material, general requirements.

EN 50 019: 2000
Design with increased safety 'e'.

The manufacturer ensures that the products above are in compliance with the requirements in the Machine directory, the Low voltage directory and the EMC directory as listed below

EN 1127-1
Explosive atmosphere- Prevention of and protection against explosion.
EN 13463-1:2001
Non-electrical equipment for potentially explosive atmospheres.

EC Declaration of Conformity

As defined by EC's Machine Directive 98/37/EC, appendix II B.

The fan is not to be used before the parts, which it is incorporated with, are in compliance with EC's Machine Directive.

The following harmonized standards are in use:

EN 60 204-1
Safety of machinery; electrical equipment of machines; general requirements.
EN 60 034-1
Rotating electric machinery; part 1: Electrical ratings and duty behavior.
SS-EN ISO 12100-1:2003.
Safety of machinery. Basic concepts, general principles for design.
EN294
Safety of Machinery; Safety distances to prevent danger zones being reached by the upper limbs.
Observe: Conformity with EN 294 only concerns mounted safety appliance under condition that these are included in the delivery. The system manufacturer is responsible for the compliance with EN 294.

EC Declaration of Conformity

as defined by EC's EMC-directive 89/336/EEC, 92/31/EEC and 93/68/EEC

The following harmonized standards are in use:

EN 61000-6-3: Electromagnetic compatibility - Generic immunity-Emission -Part 1: General requirements for equipment in homes, offices, shops and similar environments.

EN 61000-6-2 Electromagnetic compatibility (EMC) - Part 6-2: General requirements - Immunity for appliances in industrial environments.

The complete technical documentation is available.

Skinnskatteberg, 08 Aug 2003



Mats Sándor
Technical Manager

Safety Information

Installation, electrical connection and commissioning are only to be carried out by authorised personnel and in accordance with the requirements and demands of the high-tension current regulations. Installation carried out according to EN 60079-14 is considered to comply with the demands of the high voltage directive's requirements. The fan should be installed and protected to secure against spark generation caused by foreign objects coming in contact with the impeller. Rust particles are not to be found in the air stream. The transported air should not corrode the fan's casing, impeller or axis. (aluminium and steel). If the fan isn't installed in a duct system; a protection grid should be installed. No moving parts should be accessible after installation (EN 294). Electrical connection should be made according to the wiring diagram in the terminal box, markings on terminal blocks or on cable. Protection earth (PE) should always be connected. (If there's risk for static electricity a separate earthing should be attached to the casing of the fan). The fans are allowed for use in explosive environments (EE eq II T3 for I-phase and Eex e II T3 for 3-phase) and for transport of gases, but may not be connected to a flue-gas ducts. Fan-types KTEX, DKEX and DVEX **must** be installed with monitoring equipment of type U-EK230E, monitoring equipment should be labelled "PTB03ATEX3045". The monitoring equipment is fitted with a manual reset and an indicator light that is lit when the motor has been switched off, the equipment should be placed outside of the danger zone.

If the DVEX fan is equipped with tilting device, it may not be opened or tilted when explosive atmosphere is present.

In order to prevent the fan from tilting down accidentally, it must be secured by means of a screw (M6x10). (2 screws from assembly 450 on!). In addition to this, the folded brackets are secured by means of one screw (M8x16) each, which also must be used to secure the fan when it's open in such a way that the fan is prevented from tilting down accidentally. Fig. 13

Close the fan with a cautious hand, do not drop it.

Fan-type EX 140/180 **must** be fitted with a protective motor switch that should be adjusted so that it protects the motors from overload and releases within 15 sec if impellers are obstructed. In order to determine the release time for the motor protection there should be a release curve that shows the release time for the motor protection as a function of the preoscillation current condition (start-up current status) (IA/IN) for $2,9 < IA/IN < 8$ with ambient temperature of 20°C. The motor protection's release time is not allowed to deviate more than 20 % from release curve. To limit the fan motor's current to the values given in table 1 the static pressure must be adjusted by chocking the fan. The fans must not be installed outdoors. (with exception DVEX). Safety accessories (i.e. motor protection, safety grille) may not be dismantled, short cut or disconnected. Before maintenance, service or repair make sure that Power supply is interrupted (all-pole circuit breaker) and that the impellers have come to a complete stop.

CAUTION The fans can have sharp edges and corners which may cause injuries. Be careful when opening the fans service-hatches (swing-out), the fan and motor assembled on the hatch is relatively heavy.

Transportation and Storage

All fans are packaged at the factory to withstand normal transport handling. When handling the goods use suitable lifting equipment in order to avoid damage to fans and personnel. Note! Do not lift the fans by the mains cable, connection box, and impeller or inlet cone. Avoid blows and shock loads. Store the fans in a dry place protected from weather and dirt until final installation. Avoid excessive storage periods (we recommend a one year max.). Before installing the fan, check motor bearings for any noise.

Installation

Always refer to Safety information above before installation.

The installation demands that a classification of the hazardous area has been made according to valid prescriptions (Sweden applies SRVFS 2004:7) and classification standards (European countries connected to CENELEC apply EN 60079-10).

Particles of rust are not to be found in the air stream. Monitoring equipment should be labelled "PTB03ATEX3045".

EX 140/180 fans are not to be speed regulated. **CAUTION** Do not use metal compression gland fittings with plastic terminal boxes. Use a dummy plug seal for the compression gland fitting as well, to ensure that the requirements for capsule class IP 54 according to IEC 529 could be fulfilled. Ambient temperature and temperature for transported air should be in the range -20°C till +40°C, fan type EX140/180 are not to be mounted in direct sunlight. Mount the fan according to the airflow (see arrow on unit). The fan must be installed so that vibrations are not transmitted to duct systems or frame of building. (Suitable accessories like clamps and flanges are available). Make sure the fan is firmly fixed and stable. The fan can be mounted in any direction unless stated otherwise. The fans must be assembled so that service and maintenance can be carried out easily and safely. Disturbing noise can be avoided by installing silencers (available accessory). The fans are meant for continuous use within the temperature range stated.

Duct installations should be carried out so that capsule class IP 20 (mesh width less than 12mm) is fulfilled on inlet side and IP 10 (mesh width less than 50mm) on outlet side. The parts that are responsible for the IP protection should be satisfactory designed regarding strength and material. The cable end from the fan should be installed so that it is mechanically protected and suited for use in the surrounding environment. Cable for installation of fan Ex 180-4(440V 3-phase 60Hz) should be able to withstand min.100°C. Connecting cable for Ex 140/180 should have a diameter of. 6.5 - 12 mm and conducting area of 1.5-2.5 mm². Mains supply for EX-fans must be fixed. In case of external grounding of the chassis, see **Fig. 8** page 2. Earth wire (b) should be pinned between 2 pieces of tin plates (a). Installation bracket FKX (set of 2) is available as an accessory. The brackets should be mounted on the motor, see **Fig. 7**.

Operation

Always refer to Safety information above before initial operation.

When putting into operation, check:

- That measured data isn't allowed to exceed the value on the fan's nameplate. Rated current can be decreased when fan is set under pressure. Connection data corresponds to the specifications on the nameplate: Maximum voltage +6%, -10%, according to IEC 38. Rated current must not be exceeded at rated voltage. When speed regulating fans; KTEX, DKEX and DVEX, by reducing the voltage, the fans should be operated with a rated voltage from 15% up to 100% of their rated voltage. The minimum static pressure drop must not be exceeded (Observe table 1). The fans may not be frequency controlled.
- That the motor protection is working.
- That the rotating direction of the fan corresponds to the arrow
- That the motor is running smoothly (no abnormal noise).
- That no moving parts are touching the chassis or protection grilles.
- That no extensive on and off regulation is in use. The fans are intended for continuous operation.

Maintenance, Service and Repair

Always refer to Safety information above before maintenance, service or repair. Before switching off the fan, make sure that no EX atmosphere is present. The fan should be cleaned when necessary, at least 1/year to avoid imbalance and unnecessary damage to the bearings. Bearing should be tested against discordant sounds. The lifespan of the bearings are dependent on running time and temperature, but should last for at least 40 000 hours. Replace bearings when the grease has dried out, contact the supplier. On single phase fans there is a piece of sticky tape that covers the ventilation openings. If broken the capacitor must be replaced by a Systemair personnel. A filter will

prolong the time interval between each cleaning of the fan. Do not use a high-pressure cleaner (steam jet) when cleaning the fan. Make sure the fan impeller's balance weights are not moved or the fan impeller distorted. Listen for abnormal operating noise. Make sure the fan has not been blocked or that the motor protection has tripped.

Outdoor fans: If a fan is stationary for long periods in a humid atmosphere, it should be switched On for a minimum of two hours every week to remove any moisture that may have condensed.

Repair or exchange of components is not allowed for ATEX approved products.

Table 1

Model	Nameplate voltage (V)	Nameplate current (A)	I _{max} when regulated (%) *1)	Nameplate power (kW)	Min. static back pressure (Pa)					Wiring diagram
					Step 1*2	Step 2	Step 3	Step 4	Step 5	
EX 140-2	230V3~/400V3~	2,25/1,28	-	0,70						10
EX 140-2C	230V1~	3,0	-	0,69						9
EX 140-4	230V3~/400V3~	0,66/0,38	-	0,13						10
EX140-4C	230V1~	0,63	-	0,12						9
EX 180-4	230V3~/400V3~	0,74/0,43	-	0,19						10
EX 180-4C	230V1~	0,91	-	0,19						9
KTEX 50-25-4	400V3~	0,85	12	0,49	0	0	0	30	90	(Y)
KTEX 50-25-4	230V3~	1,47	12	0,49	0	0	0	30	90	(D)
KTEX 50-30-4	400V3~	1,8	6	0,9	0	40	60	90	140	(Y)
KTEX 50-30-4	230V3~	3,1	6	0,9	0	40	60	90	140	(D)
KTEX 60-30-4	230V3~/400V3~	3,8/2,2	9	1,3	0	75	115	165	225	(D)/(Y)
KTEX 60-35-4	230V3~/400V3~	6,8/3,9	17	2,1	0	70	100	150	220	(D)/(Y)
KTEX 70-40-6	230V3~/400V3~	6,4/3,7	0	1,8	0	0	0	0	0	(D)/(Y)
DKEX 225-4	400V3~	0,85	12	0,49	0	0	0	30	90	(Y)
DKEX 225-4	230V3~	1,47	12	0,49	0	0	0	30	90	(D)
DKEX 250-4	400V3~	1,8	6	0,9	0	40	70	100	145	(Y)
DKEX 250-4	230V3~	3,1	6	0,9	0	40	70	100	145	(D)
DKEX 280-4	230V3~/400V3~	3,8/2,2	9	1,3	0	70	120	200	280	(D)/(Y)
DKEX 315-4	230V3~/400V3~	6,8/3,9	17	2,1	0	100	150	200	250	(D)/(Y)
DKEX 355-6	230V3~/400V3~	6,4/3,7	0	1,8	0	0	0	0	0	(D)/(Y)
DVEX 315D4	400V3~	0,23	0	0,12						(Y)
DVEX 315D4	230V3~	0,4	0	0,12						(D)
DVEX 355D4	230V3~/400V3~	0,81/0,47	12	0,26						(D)/(Y)
DVEX 400D4	230V3~/400V3~	1,31/0,76	12	0,39						(D)/(Y)
DVEX 450D4	230/400V 3-fas	2,46/1,42	6	0,72						
DVEX 500D6	230V3~/400V3~	1,50/0,87	0	0,38						(D)/(Y)
DVEX 560D6	230V3~/400V3~	2,13/1,23	5	0,62						(D)/(Y)
DVEX 630D6	230V3~/400V3~	3,72/2,15	0	1,07						(D)/(Y)

*1) The current may exceed the currents on the nameplate by the ratio (%) given only as long as the total power consumption does not exceed the value given on the nameplate.

*2) Step	1	2	3	4	5
Voltage 230V3~	80	105	130	160	230
Voltage 400V3~	90	140	180	230	400

Explanation name plate, Fig. 12

- a - EU Free trade
 - b - Notified body number for SP
 - c - Certificate number
 - d - Certified according to European standards
 - e - Explosion proof material
 - f - Class of protection ~ high safety
 - g - Class of protection ~ appliances with sand
 - h - Explosion group II (also IIA, IIB and IIC)
 - i - Temperature class, max. surface temperature for fan 200 degrees can be used for gas mixtures with ignition temperature exceeding 200°C
 - j - Logo for explosion proof material
 - k - Category 2 ~ zone 1 ~ Flammable material present occasionally during normal usage.
- Additional sign placed over the name plate has The products item number/ manufacture number/ date for manufacturing.

Tillverkare

Våra produkter är tillverkade i enlighet med gällande EU-direktiv.



Systemair AB
Industrivägen 3
739 30 Skinnskatteberg
Tel: 0222-440 00
Fax: 0222-440 99

EU-försäkran om överensstämmelse

enligt EUs ATEX direktiv 94/9/EC.

Kanalfläkt för rund kanal

Typ	Certifikatnr	Myndighet
EX 140-2	SP03ATEX3101x	SP *
EX 140-2C	SP03ATEX3101x	SP
EX 140-4	SP03ATEX3101x	SP
EX 140-4C	SP03ATEX3101x	SP
EX 180-4	SP03ATEX3101x	SP
EX 180-4C	SP03ATEX3101x	SP

Kanalfläkt för rektangulär kanal

Typ	Certifikatnr	Myndighet
KTEX 50-25-4	SP04ATEX3105x	SP *
KTEX 50-30-4	SP03ATEX3103x	SP
KTEX 60-30-4	SP04ATEX3107x	SP
KTEX 60-35-4	SP04ATEX3109X	SP
KTEX 70-40-6	SP04ATEX3111X	SP

Radialfläktar

Typ	Certifikatnr	Myndighet
DKEX 225-4	SP04ATEX3106x	SP *
DKEX 250-4	SP03ATEX3104x	SP
DKEX 280-4	SP04ATEX3108x	SP
DKEX 315-4	SP04ATEX3110X	SP
DKEX 355-6	SP04ATEX3112X	SP

Takfläktar

Typ	Certifikatnr	Myndighet
DVEX 315D4	SP04ATEX3113X	SP *
DVEX 315D4	SP07ATEX3129X	SP
DVEX 355D4	SP04ATEX3114X	SP
DVEX 355D4	SP07ATEX3130X	SP
DVEX 400D4	SP05ATEX3115X	SP
DVEX 400D4	SP07ATEX3131X	SP
DVEX 450D4	SP04ATEX3116X	SP
DVEX 450D4	SP07ATEX3132X	SP
DVEX 500D6	SP04ATEX3117X	SP
DVEX 500D6	SP07ATEX3133X	SP
DVEX 560D6	SP05ATEX3118X	SP
DVEX 560D6	SP07ATEX3134X	SP
DVEX 630D6	SP04ATEX3119X	SP
DVEX 630D6	SP07ATEX3135X	SP

*SP = Swedish National Testing and Research Institute, SE-501 15 BORÅS, Sweden.

Följande harmoniserade standarder används:

EN 50 014: 1997 +A1 +A2
Explosionskyddad elektrisk materiel, allmänna fordringar.

EN 50 019: 2000
Utförande med höjd säkerhet 'e'.

Tillverkaren försäkrar även att ovanstående produkter överensstämmer med kraven i Maskindirektivet, Lågspänningsdirektivet och EMC-direktivet enligt följande

EN 1127-1
Explosiv atmosfär-Förhindrande av och skydd mot explosion
EN 13463-1:2001
Icke elektrisk utrustning avsedd för explosiv atmosfär

EU-försäkran om överensstämmelse

enligt EUs Maskindirektiv 98/37/EC, bilaga II B.

Fläkten får inte tas i bruk innan de delar med vilka den införlivats med är i överensstämmelse med EUs Maskin Direktiv.

Följande harmoniserade standarder används:

EN 60 204-1
Maskinsäkerhet; elutrustning för maskiner: allmänna fordringar.
EN 60 034-1 Roterande elektriska maskiner -
Del 1: Märkdata och driftgenskaper
SS-EN ISO 12100-1:2003.
Maskinsäkerhet; grundläggande begrepp; allmänna konstruktionsprinciper.
EN 294
Maskinsäkerhet; skyddsavstånd för att hindra att man når riskområden med händer och armar.
Anmärkning: Överensstämmelsen med EN 294 avser endast monterade skyddsutrustningar under förutsättning att dessa ingår i leveransen. Systemtillverkaren är ansvarig för överensstämmelsen med EN 294.

EU-försäkran om överensstämmelse

enligt EUs EMC-direktiv 89/336/EC, 92/31/EC och 93/68/EC

Harmoniserade standarder:

EN 61000-6-3 Elektromagnetisk kompatibilitet-Emission-Del 1: Generella fordringar på utrustning i bostäder, kontor, butiker och liknande miljöer.

EN 61000-6-2 Elektromagnetisk kompatibilitet (EMC)- Del 6-2: Generella fordringar-Immunitet hos utrustning i industrimiljö.

Komplett teknisk dokumentation finns tillgänglig.
Skinnskatteberg, 08 Aug 2003



Mats Sándor
Teknisk chef

Säkerhet

Installation, elektrisk anslutning samt idrifttagande skall göras av behörig installatör och utföras i enlighet med för installationen gällande föreskrifter och krav. Installation utförd enligt EN 60079-14 anses uppfylla starkströmföreskrifternas krav. Fläkt uppfyller krav för installation i zon 1 men är ej zonavskiljande (detta innebär att transporterad luft i fläkt och omgivande luft utanför fläkt ska ha samma zon)

Fläkten ska monteras och skyddas så att betryggande säkerhet erhålles mot farlig gnistbildning orsakad av att främmande föremål kommer i kontakt med fläkthjulet. Rostpartiklar får ej förekomma i luftströmmen. Transporterad luft får inte verka korrosivt på fläkthölje, fläkthjul och motoraxel (Aluminium och maskinstål). Om fläkten inte ansluts till kanalsystem ska skyddsgaller monteras. Efter installation av fläkten skall beröring av rörliga delar ej vara möjlig (EN 294). Elektrisk anslutning skall göras enligt kopplings-scheman i kopplingsdosa, märkning på kopplingsplint eller på kabel. Skyddsjord skall alltid vara ansluten. (Om risk finns för statisk elektricitet ska separat jord anslutas till hölje på fläkt.) Fläktarna får användas i explosiv miljö (EEx eq II T3 för 1-fas och EEx e II T3 för 3-fas) och för transport av gas men ej anslutas till rökgaskanal.

Fläktar typ KTEX, DKEX och DVEX ska alltid installeras med övervakningsutrustning typ U-EK230E, övervakningsutrustning ska vara märkt "PTB03ATEX3045". Övervakningsutrustningen är försedd med en manuell återställning och en kontrollampa som tänds när motorn har blivit bortkopplad, utrustningen ska placeras utanför riskområde.

Om DVEX fläkten är försedd med fällbarhet, får fläkten inte fällas eller öppnas när den är utsatt för explosiv miljö pga risk för gnistbildning. För att fläkten inte ska kunna fällas upp oavsiktligt, måste den säkras med en skruv (M6x10) (2 skruvar från storlek 450). Dessutom ska vardera gångjärn säkras med en skruv (M8x16), som också skall säkra fläkten i uppfällt läge så att fläkten inte kan fällas ner oavsiktligt. Fig. 13

Fällning upp/ner ska ske varsamt, fläkten får inte släppas ner!

Fläktar typ EX 140/180 ska alltid förses med motorskydds brytare som ska vara inställd så att den skyddar motorerna mot överlast och löser ut inom 15 sek vid fastbromsad rotor. För att kunna fastställa fördröjningen innan motorskyddet löser ur, skall en kurva finnas som visar denna fördröjning, som en funktion av startströmsförhållandet (IA/IN) för $2,9 < IA/IN < 8$ vid en omgivningstemperatur på 20°C. Motorskyddets fördröjningstid får inte avvika mer än 20 % från kurvan.

För att begränsa motors driftström till det i tabell 1 angivna märkströmsvärdet ska fläktar strypas in till min. statiska mottryck enligt tabell 1.

Fläktarna får ej monteras utomhus, (gäller ej DVEX). Säkerhetsdetaljer (t ex motorskydd, beröringsskydd) får ej demonteras, förbikopplas eller bortkopplas. Innan underhåll, service och reparation påbörjas måste fläktarna göras spänningslösa, allpolig brytning, och fläkthjulet ha stannat. Fläktarna kan ha vassa kanter och hörn, vilket kan orsaka skärskador. Iaktta försiktighet vid öppnande av fläktarnas serviceluckor, serviceluckan är relativt tung på flera av fläktstorlekarna.

Transport och lagring

Samtliga fläktar som levereras från Systemair är emballerade för att klara normal godshantering. Vid godshantering använd lämplig lyftanordning för att undvika skador på fläktar och personer. OBS! Lyft ej fläktarna i motorkabel, kopplingsdosa, fläkthjul eller insugningskona. Undvik slag och stötar Fläktarna ska lagras torrt, väderskyddat samt skyddas från smuts och damm före slutlig installation. Undvik lång förvaringstid (max ett år rekommenderas). Innan fläkten installeras, kontrollera lager för ev. missljud.

Installation

Innan installation skall avsnittet säkerhet alltid gås igenom.

Fläktar är endast avsedda för fast installation. Installationen förutsätter att klassning av riskområde har utförts enligt gällande föreskrifter (i Sverige gäller SRVFS 2004:7 och klassningsstandard EN 60079-10) Rostpartiklar får ej förekomma i luftström Övervakningsutrustning ska vara märkt "PTB 03ATEX3045".

Fläktar EX 140/180 får inte varvtalsregleras.

Alla 3-fas fläktar är från fabrik kopplade 400V 3~. Gäller ej fläktar för 230V 3-fas (D)

Använd ej förskruvningar av metall om kopplingsdosa är av plast. Täta ev. tomma förskruvningshål med blindplugg, varvid kravet på kapslingsklass IP 54 enligt IEC 529 ska uppfyllas. Omgivningstemperatur och temperatur för transporterad luft ska ligga inom intervallet -20°C till +40°C, fläktar typ EX140/180 får ej monteras i direkt solljus.

Montera fläkten i rätt luftriktning (se luftriktningsspil). Fläkten ska monteras så att vibrationer ej kan överföras till kanalsystem och byggnadsstomme. (För ändamålet finns fästklammer och dukstosar som tillbehör). Fläktar kan monteras i valfritt inbyggnadsläge om ej annat anges. Fläkten ska monteras på ett stadigt och stabilt sätt. Fläkten ska monteras så att service och underhåll kan utföras på ett enkelt och säkert sätt. Ljudproblem kan förebyggas genom installation av ljuddämpare (finns som tillbehör). Fläkten är avsedd för kontinuerlig drift inom det angivna temperaturområdet.

Kanalinstallationen ska vara utförd så att kapslingsklass IP20 (maskvidd mindre än 12mm) uppfylls på inloppssida och IP 10 (maskvidd mindre än 50mm) på utloppssida. Delarna som står för detta IP skydd ska vara tillfredsställande konstruerade med avseende på styrka och material. Kabeländan från fläkt ska installeras så att den är mekaniskt skyddad och att den är lämpad för användning i den omgivande miljön. Kabel för inkoppling av fläkt Ex 180-4(440V 3-fas 60Hz) ska klara min. 100°C. Anslutningskabel för Ex 140/180 ska ha diam. 6,5 - 12 mm med en ledningsarea 1,5-2,5 mm². Anslutnings-kabel för Ex-fläktar skall vara fast förlagd. Vid extern jordning av hölje, se Fig 8 sidan 2. Jordledare (b) ska klämmas mellan 2 st metallbleck (a).

Det finns väggfästen FXK (2 st) som tillbehör. Fästen monteras på motor, se Fig. 7.

Drift

Innan fläkten tas i drift skall avsnittet säkerhet alltid gås igenom.

Vid idrifttagande kontrollera följande:

- Fläktens märkdata: Uppmätta data får ej överstiga på fläktens typskylt angivna märkdata. Märkströmmen kan minskas med ökad trycksättning av fläkt. Maximalt tillåten spänning +6%, -10%, enligt IEC 38. Märkströmmen får ej överskridas vid märkspänning. Vid varvtalsreglering av fläktar typ KTEX, DKEX och DVEX får fläkten drivas med en märkspänning från 15% upp till 100% av dess märkspänning. Minsta angivna statiska tryckfall får ej underskridas. (Se tabell 1). Fläktar får ej frekvensregleras.
- Motorskyddets funktion.
- Att rotationsriktning på fläkthjulet överensstämmer med rotationsriktningsspilen (3-fas).
- Att inga missljud hörs från fläkten.
- Att rörliga delar ej berör fläkthölje eller insugningskona.
- Fläkten är dimensionerad för kontinuerlig drift S1. Reglering får inte tillåta överdrivna in och ur kopplingar.

Underhåll, service och reparation

Innan underhåll, service och reparation av fläkten skall avsnittet säkerhet alltid gås igenom. Innan fläkten stängs av säkerställs att explosiv miljö inte förekommer.

Fläkten ska kontrolleras och rengöras vid behov, dock minst 1 gång/år för att undvika obalans med onödiga lagerskador som följd. Lager kontrolleras mot missljud. Lagren är underhållsfria och har en livslängd på minst 40 000 timmar. När fläktarnas lagerfett har tjänat ut ska lager bytas, kontakta leverantören. På enfaser fläktar ska tejen som täcker kondensatorns ventilationsöppningar vara hel, om tejen är trasig skall kondensatorn bytas, detta arbete utföres av Systemair. Med ett filter kan rengöringsintervall för fläkt förlängas. Vid rengöring av fläkten får högtryckstvätt ej användas.

Rengöring måste ske försiktigt så att fläkthjulets balansvikter ej rubbas eller fläkthjulet deformeras. Kontrollera att inga missljud hörs från fläkten. Kontrollera att fläkthjulet inte är blockerat eller att motorskyddet har löst ut. Om fläkten efter kontroll och/eller återställning av motorskyddet ej startar kontakta leverantören.

Utomhusfläktar: Om en fläkt står stilla under lång tid i fuktig omgivning bör den köras minst två timmar varje vecka för att få bort eventuellt kondensvatten ur motorn.

Utbyte eller reparation av komponenter får ej ske på ATEX godkända produkter.

Tabell 1

Model	Märkspänning (V)	Märkström (A)	I _{max} vid regl. (%)* ¹	Märkeffekt (kW)	Min. statisk mottryck (Pa)					Koppl. schema sid 2
					Steg 1* ²	Steg 2	Steg 3	Steg 4	Steg 5	
EX 140-2	230V3~/400V3~	2,25/1,28	-	0,70						10
EX 140-2C	230V1~	3,0	-	0,69						9
EX 140-4	230V3~/400V3~	0,66/0,38	-	0,13						10
EX140-4C	230V1~	0,63	-	0,12						9
EX 180-4	230V3~/400V3~	0,74/0,43	-	0,19						10
EX 180-4C	230V1~	0,91	-	0,19						9
KTEX 50-25-4	400V3~	0,85	12	0,49	0	0	0	30	90	(Y)
KTEX 50-25-4	230V3~	1,47	12	0,49	0	0	0	30	90	(D)
KTEX 50-30-4	400V3~	1,8	6	0,9	0	40	60	90	140	(Y)
KTEX 50-30-4	230V3~	3,1	6	0,9	0	40	60	90	140	(D)
KTEX 60-30-4	230V3~/400V3~	3,8/2,2	9	1,3	0	75	115	165	225	(D)/(Y)
KTEX 60-35-4	230V3~/400V3~	6,8/3,9	17	2,1	0	70	100	150	220	(D)/(Y)
KTEX 70-40-6	230V3~/400V3~	6,4/3,7	0	1,8	0	0	0	0	0	(D)/(Y)
DKEX 225-4	400V3~	0,85	12	0,49	0	0	0	30	90	(Y)
DKEX 225-4	230V3~	1,47	12	0,49	0	0	0	30	90	(D)
DKEX 250-4	400V3~	1,8	6	0,9	0	40	70	100	145	(Y)
DKEX 250-4	230V3~	3,1	6	0,9	0	40	70	100	145	(D)
DKEX 280-4	230V3~/400V3~	3,8/2,2	9	1,3	0	70	120	200	280	(D)/(Y)
DKEX 315-4	230V3~/400V3~	6,8/3,9	17	2,1	0	100	150	200	250	(D)/(Y)
DKEX 355-6	230V3~/400V3~	6,4/3,7	0	1,8	0	0	0	0	0	(D)/(Y)
DVEX 315D4	400V3~	0,23	0	0,12						(Y)
DVEX 315D4	230V3~	0,4	0	0,12						(D)
DVEX 355D4	230V3~/400V3~	0,81/0,47	12	0,26						(D)/(Y)
DVEX 400D4	230V3~/400V3~	1,31/0,76	12	0,39						(D)/(Y)
DVEX 450D4	230/400V 3-fas	2,46/1,42	6	0,72						
DVEX 500D6	230V3~/400V3~	1,50/0,87	0	0,38						(D)/(Y)
DVEX 560D6	230V3~/400V3~	2,13/1,23	5	0,62						(D)/(Y)
DVEX 630D6	230V3~/400V3~	3,72/2,15	0	1,07						(D)/(Y)

*¹) Strömmen får överskrida motorns märkström med högst de i tabellen angivna värdena under förutsättning av märkeffekten ej överskrids.

* ²) Steg	1	2	3	4	5
Spänning 230V3~	80	105	130	160	230
Spänning 400V3~	90	140	180	230	400

Förklaring typskylt, Fig. 12

- a - EUs frihandelsmärke
- b - Certifieringsorgansnummer för SP
- c - Certifikatsnummer
- d - Certifierad mot europeiska standarder
- e - Explosionsskyddat material
- f - Typ av skydd ~ höjd säkerhet
- g - Typ av skydd ~ utförande med sand
- h - Apparatgrupp II (även IIA, IIB och IIC)
- i - Temperaturklass, max. ytemp. på fläkt 200 grader kan användas för gasblandning med högre tändtemp. än 200°C
- j - Märke för explosionsskyddat material
- k - kategori 2 ~ zon 1 ~ brandfarlig gasblandning kan förväntas förekomma tillfälligt under normal drift
Tilläggs skylt som är placerad ovanför typskylt anger
Produktens artikelnummer /
Tillverkningsordernummer / Datum för tillverkning.

Hersteller

Unsere Produkte werden nach den einschlägigen EU-Normen und Richtlinien gefertigt.



Systemair AB
Industrivägen 3
SE-739 30 Skinnskatteberg
SWEDEN
Office: +46 222 440 00
Fax: +46 222 440 99

EG-Konformitäts-Erklärung

Im Sinne der EG-Richtlinie ATEX 94/9EC

Radialventilatoren

Typ	Zertifikats-Nr.	Behörde
EX 140-2	SP03ATEX3101x	SP *
EX 140-2C	SP03ATEX3101x	SP
EX 140-4	SP03ATEX3101x	SP
EX 140-4C	SP03ATEX3101x	SP
EX 180-4	SP03ATEX3101x	SP
EX 180-4C	SP03ATEX3101x	SP

Kanalventilatoren

Typ	Zertifikats-Nr.	Behörde
KTEX 50-25-4	SP04ATEX3105x	SP *
KTEX 50-30-4	SP03ATEX3103x	SP
KTEX 60-30-4	SP04ATEX3107x	SP
KTEX 60-35-4	SP04ATEX3109X	SP
KTEX 70-40-6	SP04ATEX3111X	SP

Radialventilatoren

Typ	Zertifikats-Nr.	Behörde
DKEX 225-4	SP04ATEX3106x	SP *
DKEX 250-4	SP03ATEX3104x	SP
DKEX 280-4	SP04ATEX3108x	SP
DKEX 315-4	SP04ATEX3110X	SP
DKEX 355-6	SP04ATEX3112X	SP

Dachventilatoren

Typ	Zertifikats-Nr.	Behörde
DVEX 315D4	SP04ATEX3113X	SP *
DVEX 315D4	SP07ATEX3129X	SP
DVEX 355D4	SP04ATEX3114X	SP
DVEX 355D4	SP07ATEX3130X	SP
DVEX 400D4	SP05ATEX3115X	SP
DVEX 400D4	SP07ATEX3131X	SP
DVEX 450D4	SP04ATEX3116X	SP
DVEX 450D4	SP07ATEX3132X	SP
DVEX 500D6	SP04ATEX3117X	SP
DVEX 500D6	SP07ATEX3133X	SP
DVEX 560D6	SP05ATEX3118X	SP
DVEX 560D6	SP07ATEX3134X	SP
DVEX 630D6	SP04ATEX3119X	SP
DVEX 630D6	SP07ATEX3135X	SP

*SP =nationales schwedisches Test – u. Forschungsinstitut, SE-501 15 Boras, Schweden

Folgende harmonisierte Normen finden Anwendung:

EN 50 014: 1997 + A1 + A2
Elektrische Betriebsmittel für explosionsgefährdete Bereiche - Allgemeine Bestimmungen

EN 50 019: 2000

Elektrische Betriebsmittel für explosionsgefährdete Bereiche - Erhöhte Sicherheit "e"

Der Hersteller versichert, dass die oben genannten Produkte den Anforderungen der nachfolgend aufgeführten Maschinen-Richtlinie, der Niederspannungsrichtlinie und der EMV-Richtlinie entsprechen

EN 1127-1

Explosionsfähige Atmosphären - Explosionsschutz - Teil 1: Grundlagen und Methodik
EN 13463-1:2001

Nicht-elektrische Geräte für den Einsatz in explosionsgefährdeten Bereichen - Teil 1: Grundlagen und Anforderungen

EG-Konformitäts-Erklärung

Nach der EG-Maschinenrichtlinie 98/37/EC, Annex II B

Der Ventilator darf erst in Betrieb genommen werden, wenn alle Komponenten mit der EG-Maschinenrichtlinie übereinstimmen.

Folgende harmonisierte Normen finden Anwendung:

EN 60 204-1

Sicherheit von Maschinen; elektrische Ausrüstung von Maschinen, allgemeine Anforderungen

EN 60 034-1

Sich drehende elektrische Maschinen; Teil 1: Nennbetrieb und Betriebsbeigenschaften

SS-EN ISO 12100-1:2003.

Sicherheit von Maschinen; Grundsätze; allgemeine Gestaltungsleitsätze
EN 294

Sicherheit von Maschinen; Sicherheitsabstände gegen das Erreichen von Gefahrstellen mit den oberen Gliedmaßen

Hinweis: Die Übereinstimmung mit der EN 294 bezieht sich nur auf den montierten Berührungsschutz, sofern dieser zum Lieferumfang gehört. Für die vollständige Erfüllung der EN 294 ist der Anlagenbauer bzw. Installateur verantwortlich.

EG-Konformitäts-Erklärung

Gemäß der EG-EMV-Richtlinie 89/336/EEC, 92/31/ECC und 93/68/ECC

Folgende harmonisierte Normen finden Anwendung:

EN 61000-6-3: elektromagnetische Kompatibilität – Fachgrundnorm für Störaussendung im Wohnbereich, Geschäfts- und Gewerbebereich – Teil 1: Allgemeine Anforderungen

EN 61000-6-2: elektromagnetische Kompatibilität – Fachgrundnorm für Störaussendung im Industriebereich

Die komplette technische Dokumentation ist erhältlich.

Skinnskatteberg, 08. Aug 2003



Technischer Leiter Systemair AB

Sicherheitshinweise

Installation, elektrischer Anschluss und Inbetriebnahme dürfen nur durch autorisiertes Fachpersonal und in Übereinstimmung mit den gültigen Vorschriften durchgeführt werden. Die Installation muß gemäß der Richtlinie EN 60079-14 in Übereinstimmung mit den Hochspannungs-Richtlinien erfolgen. Der Ventilator sollte so installiert werden das er gegen Funkenflug durch fremde Gegenstände geschützt wird, der Kontakt mit dem Laufrad soll vermieden werden. Rostpartikel dürfen sich nicht im Luftstrom befinden. Die transportierte Luft darf nicht das Gehäuse, Laufrad oder Motoraxel korrosiv beeinflussen. Wenn der Ventilator nicht in einem Kanalsystem installiert wird sollte ein Berührungsschutzgitter eingebaut werden. Nach dem Einbau sollten keine beweglichen Teile mehr zugänglich sein (EN 294). Die Elektroanschlüsse im Klemmkasten sind gemäß dem Schaltbild im Klemmkasten, den Markierungen auf den Kabeln oder den Klemmen vorzunehmen. Das Erdungskabel sollte immer angeschlossen sein. (Besteht ein erhöhtes Risiko durch statische Aufladung, sollte eine separate Erdung am Gehäuse angeschlossen werden). Die Ventilatoren können in explosiver Umgebung installiert werden (EE eq II T3 für 1-phasen und Ex e II T3 für 3-phasen) und sind für den Transport von Gasen verwendbar, dürfen aber nicht an Flüssigkeit leitende Kanäle angeschlossen werden. Die Ventilatoren-Typen KTEX, DKEX und DVEX müssen mit Überwachungsinstrumenten des Typs U-EK230E ausgestattet sein, welche nach der „PTB03ATEX3045“ geprüft sind. Der Motorschutzschalter ist mit einem Drehknopf und einer Leuchtdiode ausgestattet, die bei Ansprechen des Motorschutzes leuchtet. Die Regelgeräte und Motorschutzeinrichtungen sollten außerhalb der Ex-Zonen installiert werden.

Wenn der DVEX Ventilator mit Klapprahmen ausgerüstet ist, darf er nicht geöffnet oder gekippt werden, wenn explosive Atmosphäre anwesend ist. Um zu verhindern das der Ventilator versehentlich geöffnet wird, muss er mittels einer Schraube (M6x10) (2 Schrauben ab Größe 450) gesichert werden. Zusätzlich zu diesem werden die beiden Laschen mittels einer Schraube (M8x16) gesichert, die auch benutzt werden um den Ventilator in offener Position zu sichern und um zu verhindern das er versehentlich nach unten kippt (Bild 13)

Den Ventilator vorsichtig schließen, nicht fallen lassen.

Der Typ EX 140/180 muss mit einem Motorschutzgerät ausgestattet werden. Das Motorschutzgerät muss so installiert werden das es den Motor vor Überhitzung schützt und innerhalb von 15 sec. abschaltet wenn das Laufrad blockiert ist. Um die Abschaltzeit des Motorschutzgerätes ist das Verhältnis von Anlaufstrom und Nennstrom zu ermitteln. (IA/IN).

Es soll nicht kleiner als 2,9 und nicht größer als 8 im Verhältnis stehen. Die Werte beziehen sich alle auf eine Umgebungstemperatur von 20°C. Bei der Auswahl darf die zulässige gewählte Strombegrenzung nicht mehr als 20 % abweichen. Die Motorschutzschalter müssen so ausgelegt werden, das der Anlaufstrom die Schutzschalter nicht auslöst. Die Ventilatoren dürfen nicht im Außenbereich montiert werden (mit Ausnahme des DVEX). Sicherheitszubehör (wie z.B. Motorschutz, Schutzgitter..) dürfen nicht abmontiert, gekürzt oder getrennt werden. Achtung! Vor Wartungsarbeiten muß die Stromzufuhr abgestellt werden (allpoliger vom Stromnetz trennen). Das Laufrad muss stillstehen. Achtung! Die Ventilatoren können scharfe Kanten oder Ecken haben, es besteht Verletzungsgefahr.

Transport und Lagerung

Alle Ventilatoren sind werkseitig so verpackt, daß sie gegen normale Transportbelastungen geschützt sind. Verwenden Sie geeignetes Hebematerial beim Transport der Geräte, um Schäden an Personen und Material zu vermeiden. Transportieren Sie die Geräte nicht am Anschlußkabel, am Klemmkasten, am Laufrad oder an der Einströmdüse. Vermeiden Sie Belastungen durch Schläge und Stöße. Lagern Sie die Ventilatoren bis zur Installation an einem trockenen, wetter —und staubgeschützten Ort. Eine längere Lagerung der Ventilatoren ist zu vermeiden. (Wir empfehlen die Lagerung ausserhalb des Versandlagers auf 1 Jahr zu beschränken). Nach Längerer Lagerung sollten die Ventilatoren vor Auslieferung auf

Lagerschäden überprüft werden. (Laufräusche bei Freilaufprüfung)

Montage

Die genannten Sicherheitshinweise sind zu beachten. Die Installation verlangt, dass eine Klassifikation des gefährlichen Bereichs entsprechend gültigen Verordnungen nach DIN VDE 0165 und Betriebssicherheitsverordnung gemacht ist (Europäischen Länder, die an CENELEC angeschlossen sind, verwenden EN 60079-10).

Rostpartikel dürfen sich nicht im Luftstrom befinden. Die Überwachungsausrüstung ist gemäß der „PTB03ATEX3045“ geprüft.

EX 140 / 180 Ventilatoren sind nicht regelbar. Alle 3 Phasen-Ventilatoren werden werkseitig mit einem 400 V-3Phasen-Anschluss geliefert. Achtung! Bitte verwenden Sie bei Klemmkästen aus Kunststoff keine Kabelverschraubungen aus Metall. Verwenden Sie auch für die Kabeldurchführungen geeignete Gummitüllen., um den Anforderungen der Schutzklasse IP gemäß IEC 529 gerecht zu werden. Die Umgebungstemperatur und die Temperatur der transportierten Luft sollte zwischen –20 C und + 40 C liegen. Der Ventilator der Typen EX 140 / 180 dürfen nicht dem direkten Sonnenlicht ausgesetzt werden. Montieren Sie den Ventilator in der richtigen Luftströmungsrichtung (siehe Pfeil auf dem Gerät). Der Ventilator muss so eingebaut werden, dass keine Vibrationen auf das Kanalsystem oder den Gehäuserahmen übertragen werden können. (Passendes Zubehör wie z.B. Verbindungsmanschetten und Flansche sind verfügbar). Stellen Sie sicher, dass der Ventilator fest und stabil eingebaut ist. Falls nicht anders angegeben kann der Ventilator in jeder Einbaulage montiert werden. Die Ventilatoren müssen so eingebaut werden, dass eine Reparatur und Wartung problemlos und sicher möglich ist. Störende Geräusche können durch den Einbau von Schalldämpfern vermieden werden (als Zubehör erhältlich. Die Ventilatoren sind für den dauerhaften Gebrauch innerhalb des angegebenen Temperaturbereichs gedacht.

Die Kanalinstallation sollte so durchgeführt werden, das die Schutzklasse IP 20 (Kontaktabstand drehendes Teil weniger als 12 mm) an der Einströmseite erfüllt ist und die Schutzklasse 10 (Kontaktabstand drehendes Teil weniger als 50 mm) an der Ausblasseite garantiert werden kann. Die Zubehöerteile welche für den Schutz verantwortlich sind, sollten hinsichtlich Stärke und Material geprüft sein. Das Kabelende des Ventilators sollte so installiert werden, das diese mechanisch geschützt sind und für den Einsatz im Freien geeignet sind.

Das Kabel zur Installation des Ventilators EX 180-4 (440V 3phasen, 60Hz) sollte mind. 100 °C standhalten. Das Verbindungskabel für die Ventilatoren EX 140/180 sollte einen Durchmesser von 6,5 – 12 mm haben, die Querschnitt des Kabels je nach Stromstärke 1,5 – 2,5 mm.

Im Falle des externen Anschlusses des Erdkabels bitte Bild Nr. 8 , Seite2, beachten. Erdkabel (b) sollte zwischen zwei Metallplatten sicher an die Hauserdung angeschlossen werden. Montagekonsolen für Gerätereihe EX (2 Stk im Set) sind als Zubehör erhältlich. Diese Konsolen sind für Befestigung am Motor vorgesehen. (Bild Nr Fig. 7.)

Betrieb

Bitte überprüfen Sie folgendes vor der ersten Inbetriebnahme:

- die gemessenen Daten dürfen den Wert der auf dem Typenschild des Ventilators steht nicht überschreiten. Der Strom kann unter Belastung niedriger sein
 - Stimmen die Anschlussdaten mit den Angaben auf dem Typenschild überein? Spannungstoleranzen sind gemäß IEC 38 mit maximal 6% oder – 10 % zulässig. Der Nennstrom darf die Nennspannung nicht übersteigen. Wenn bei den drehzahlstaueregelten Ventilatoren KTEX; DKEX und DVEX eine Spannungsreduktion erfolgt, sollte der Ventilator mit einer Stromspannung zwischen 15 und 100 % über dem Nennstrom betrieben werden. Dabei ist jedoch unbedingt darauf zu achten, ob eine Mindestpressung für den Ventilator angegeben ist
 - Funktioniert der Motorschutz?
 - Entspricht die Drehrichtung dem Drehrichtungspfeil?
- Läuft der Motor ruhig (keine ungewöhnlichen Geräusche

Wartung; Überprüfung und Reparatur

Vor Wartung, Überprüfung oder Reparatur soll Abschnitt Sicherheit durchgelesen werden. Vor Ausschalten des Ventilators muss sichergestellt sein, dass keine explosionsfähige Atmosphäre vorliegt.

Um eine Unwucht der Lager zu vermeiden, sollte der Ventilator wenn notwendig mindestens einmal jährlich inspiziert werden. Bei Überprüfung auf Geräusche des Lagers achten. Die Lebensdauer der Lager hängt von der Betriebsdauer und Temperatur ab, die Lager sind wartungsfrei (>40 000 Stunden). Ein Filter verlängert die Reinigungsintervalle. Verwenden Sie keine Hochdruckreiniger zum Reinigen des Ventilators. Versichern Sie sich, dass die Wuchtgewichte des Ventilatorenlaufrades sich nicht verschoben haben und dass das

Laufrad nicht verbogen ist. Achten Sie auf ungewöhnliche Betriebsgeräusche.

Sichern Sie ab, dass der Ventilator nicht blockiert ist oder dass der Motorschutz korrekt angeschlossen ist.

Bitte kontaktieren Sie den Hersteller wenn der Motor nach Kontrolle nicht startet und / oder der Motorschutz sich nicht einschaltet. Ventilatoren im Aussenbereich:

Bei längeren Stillstandszeiten der Ventilatoren, kann sich Kondensat im Motor bilden. Daher ist eine regelmäßige Einschaltzeit von 2 Stunden pro Woche sicherzustellen. Vor Ausschalten des Ventilators muss sichergestellt sein, dass keine explosionsfähige Atmosphäre vorliegt.

Reparatur oder Austausch der Ventiliortorenteile ist bei ATEX-geprüften Produkten ausdrücklich nicht erlaubt!!

Table 1

Model	Typenschild Spannung (V)	Typenschild Strom (A)	I _{max} bei Regelung (%)* ¹	Typenschild Leistung (kW)	Min. statische Gegen druck (Pa)					siehe diagram Seite 2
					Stufe 1* ²	Seite 2	Stufe 3	Stufe 4	Stufe 5	
EX 140-2	230V3~/400V3~	2,25/1,28	-	0,70						10
EX 140-2C	230V1~	3,0	-	0,69						9
EX 140-4	230V3~/400V3~	0,66/0,38	-	0,13						10
EX140-4C	230V1~	0,63	-	0,12						9
EX 180-4	230V3~/400V3~	0,74/0,43	-	0,19						10
EX 180-4C	230V1~	0,91	-	0,19						9
KTEX 50-25-4	400V3~	0,85	12	0,49	0	0	0	30	90	(Y)
KTEX 50-25-4	230V3~	1,47	12	0,49	0	0	0	30	90	(D)
KTEX 50-30-4	400V3~	1,8	6	0,9	0	40	60	90	140	(Y)
KTEX 50-30-4	230V3~	3,1	6	0,9	0	40	60	90	140	(D)
KTEX 60-30-4	230V3~/400V3~	3,8/2,2	9	1,3	0	75	115	165	225	(D)/(Y)
KTEX 60-35-4	230V3~/400V3~	6,8/3,9	17	2,1	0	70	100	150	220	(D)/(Y)
KTEX 70-40-6	230V3~/400V3~	6,4/3,7	0	1,8	0	0	0	0	0	(D)/(Y)
DKEX 225-4	400V3~	0,85	12	0,49	0	0	0	30	90	(Y)
DKEX 225-4	230V3~	1,47	12	0,49	0	0	0	30	90	(D)
DKEX 250-4	400V3~	1,8	6	0,9	0	40	70	100	145	(Y)
DKEX 250-4	230V3~	3,1	6	0,9	0	40	70	100	145	(D)
DKEX 280-4	230V3~/400V3~	3,8/2,2	9	1,3	0	70	120	200	280	(D)/(Y)
DKEX 315-4	230V3~/400V3~	6,8/3,9	17	2,1	0	100	150	200	250	(D)/(Y)
DKEX 355-6	230V3~/400V3~	6,4/3,7	0	1,8	0	0	0	0	0	(D)/(Y)
DVEX 315D4	400V3~	0,23	0	0,12						(Y)
DVEX 315D4	230V3~	0,4	0	0,12						(D)
DVEX 355D4	230V3~/400V3~	0,81/0,47	12	0,26						(D)/(Y)
DVEX 400D4	230V3~/400V3~	1,31/0,76	12	0,39						(D)/(Y)
DVEX 450D4	230/400V 3-fas	2,46/1,42	6	0,72						
DVEX 500D6	230V3~/400V3~	1,50/0,87	0	0,38						(D)/(Y)
DVEX 560D6	230V3~/400V3~	2,13/1,23	5	0,62						(D)/(Y)
DVEX 630D6	230V3~/400V3~	3,72/2,15	0	1,07						(D)/(Y)

*¹) Der zulässige Gesamtstrom der auf dem Typenschild angegeben ist, muss nicht der Angabe im Katalog zur Auswahl entsprechen (Stromanstieg im Teilspannungsbereich)

* ²) Stufe	1	2	3	4	5
Spannung 230V3~	80	105	130	160	230
Spannung 400V3~	90	140	180	230	400

Erklärung Typenschild, Fig. 12

- | | |
|---|--|
| a - EU Freihandelsverkehr | h - Zoneneinteilung II (also IIA, IIB and IIC) |
| b - Nr. der zulassende Stelle | i - Temperaturklasse, max. Oberflächentemperatur von Ventilator von 200 ° für Gasförmige Stoffe mit maximaler Zündtemperatur von 200 ° |
| c - Zulassungsnr. | j - Logo für Ex Schutz |
| d - Europa Kennzeichnung | k - Kategorie 2 ~ Zone 1 ~ Zündfähiges Material unter normal Bedingungen gelegentlich vorhanden. |
| e - Zulassung für Ex- Einsatz | |
| f - Ex Klasse 'e' erhöhte Sicherheit | |
| g - Ex Zusatzausrüstung q ~ Zusatz mit Sand | |

Valmistaja

Tuotteemme on valmistettu Euroopan Unionin standardien ja määräysten mukaisesti.



Systemair AB
Industrivägen 3
SE-739 30 Skinnskatteberg
SWEDEN
Office: +46 222 440 00
Fax: +46 222 440 99

EUn vaatimustenmukaisuusvakuutus

Kuten Eun direktiivissä ATEX Directive 94/9EC on määriteltä.

Pyöreä kanavapuhallin

Tyyppi	Sertifikaatti №	Viranomainen
EX 140-2	SP03ATEX3101x	SP *
EX 140-2C	SP03ATEX3101x	SP
EX 140-4	SP03ATEX3101x	SP
EX 140-4C	SP03ATEX3101x	SP
EX 180-4	SP03ATEX3101x	SP
EX 180-4C	SP03ATEX3101x	SP
EX 140-2	SP03ATEX3101x	SP *

Suorakaidekanavapuhallin

Tyyppi	Sertifikaatti №	Viranomainen
KTEX 50-25-4	SP04ATEX3105x	SP *
KTEX 50-30-4	SP03ATEX3103x	SP
KTEX 60-30-4	SP04ATEX3107x	SP
KTEX 60-35-4	SP04ATEX3109X	SP
KTEX 70-40-6	SP04ATEX3111X	SP

Keskikokoispuhallin

Tyyppi	Sertifikaatti №	Viranomainen
DKEX 225-4	SP04ATEX3106x	SP *
DKEX 250-4	SP03ATEX3104x	SP
DKEX 280-4	SP04ATEX3108x	SP
DKEX 315-4	SP04ATEX3110X	SP
DKEX 355-6	SP04ATEX3112X	SP

Huippumuri

Tyyppi	Sertifikaatti №	Viranomainen
DVEX 315D4	SP04ATEX3113X	SP *
DVEX 315D4	SP07ATEX3129X	SP
DVEX 355D4	SP04ATEX3114X	SP
DVEX 355D4	SP07ATEX3130X	SP
DVEX 400D4	SP05ATEX3115X	SP
DVEX 400D4	SP07ATEX3131X	SP
DVEX 450D4	SP04ATEX3116X	SP
DVEX 450D4	SP07ATEX3132X	SP
DVEX 500D6	SP04ATEX3117X	SP
DVEX 500D6	SP07ATEX3133X	SP
DVEX 560D6	SP05ATEX3118X	SP
DVEX 560D6	SP07ATEX3134X	SP
DVEX 630D6	SP04ATEX3119X	SP
DVEX 630D6	SP07ATEX3135X	SP

*SP = Ruotsin kansallinen testaus- ja tutkimusinstituutti SE-501 15 BORÅS, Sweden.

Käytetään seuraavia harmonisoituja standardeja:

EN 50 014: 1997+A1 +A2
Räjähdyssuojatut sähkömateriaalit, yleiset vaatimukset.

EN 50 019: 2000

Rakenne, jossa on korkea turvallisuus "e".

Valmistaja vakuuttaa, että yllä mainitut tuotteet vastaavat konedirektiivin, pienjännitedirektiivin ja EMC-direktiivin vaatimuksia, kuten alla on mainittu

EN 1127-1

Räjähdyssuojauksen ilmaseoksen räjähdysvaaran esto ja räjähdysvaaran esto.

EN 13463-1:2001

Muut kuin sähkölaitteet mahdollisille räjähtäville ilmaseoksille.

EUn vaatimustenmukaisuusvakuutus

Kuten EUn Konedirektiivissä 98/37/EC0, liite II B, säädetään.

Puhallinta ei saa ottaa käyttöön ennen kuin on varmistettu, että siihen sisältyvät osat vastaavat EUn konedirektiiviä.

Käytetään seuraavia harmonisoituja standardeja:

EN 60 204-1

Koneen turvallisuus, koneiden sähkölaitteet; yleiset vaatimukset.

EN 60 034-1

Pyörivät sähkökoneet, osa 1: Sähköiset nimellisarvot ja käyttöominaisuudet.

SS-EN ISO 12100-1:2003.

Koneiden turvallisuus. Peruskäsitteet, yleiset suunnitteluperiaatteet.

EN294

Koneiden turvallisuus; turvaetäisyydet vaaravyöhykkeille pääsyn estämiseksi.

Huom. EN 294 –yhdenmukaisuus koskee vain asennettuja varmuuslaitteita edellyttäen, että ne sisältyvät toimitukseen. Järjestelmän valmistaja on vastuussa EN 294 –vaatimuksenmukaisuudesta.

EUn vaatimustenmukaisuusvakuutus

Kuten EU:n EMC-direktiivi 89/336/EEC, 92/31/EEC ja 93/68/EEC määrittelee

Käytetään seuraavia harmonisoituja standardeja:

EN 61000-6-3: Sähkömagneettinen yhteensopivuus – Häiriöpäästöt, Osa 1: Yleiset vaatimukset kotitalouksissa, toimistoissa, liiketiloissa ja muissa vastaavissa ympäristöissä käytettäville koneille.

EN 61000-6-2 Sähkömagneettinen yhteensopivuus

(EMC) – Osa 6-2: Yleiset määräykset – teollisuusympäristössä käytettävien laitteiden häiriönsieto

Täydellinen tekninen aineisto on saatavilla.

Skinnskatteberg, 08 Aug 2003



Mats Sándor
Tekninen johtaja

Turvallisuustietoa

Vain valtuutetut asentajat saavat suorittaa asennuksen, sähkökytkennät ja käyttöönoton suurjännitevirtavaatimusten mukaisesti. EN 60079-14:n mukaisesti suoritettua asennuksen katsotaan vastaavan suurjännitdirektiivin vaatimuksia. Puhallin on suojattava ulkopuolisten esineiden aiheuttamalta ja siipipyörään suuntautavalta kipinöinniltä. Ruostepartikkeleita ei saa olla virtausilmassa. Siirrettävä ilma ei saa syövyttää puhaltimen vaippaa, siipipyörää eikä akselia. (alumiini ja teräs). Jos puhallinta ei asenneta kanavistoon, se on varustettava suojaristikolla. Luoksepääsy liikkuviin osiin on estettävä asennuksen jälkeen (EN 294). Sähköliitännät on tehtävä liitäntäkotelon kytkentäkaavion, riviliitin- tai kaapelimerkintöjen mukaan. Suojamaa (PE) on yhdistettävä aina. (jos on olemassa staattisen sähkövarauksen vaara, puhaltimen kotelo on maadoitettava erikseen). Puhaltimia voidaan käyttää räjähdysvaarallisessa ympäristössä (EE eq II T3 for 1-phase and Eex e II T3 for 3-phase) ja kaasunsiirtoon, mutta niitä ei saa liittää savukaasukanaviin. KTEX, DKEX ja DVEX –tyyppiset puhaltimet on varustettava U-EK230E –tyyppisillä seurantalaitteilla, joissa on oltava merkintä "PTB03ATEX3045". Seurantalaitteita varustetaan manuaalisella alkutila-asetuksella ja merkkivalolla, joka palaa silloin, kun moottori on pysäytetty. Laitte on sijoitettava vaarallisen alueen ulkopuolelle.

Jos DVEX-puhallin varustetaan kallistuslaitteella, puhallinta ei saa avata eikä kallistaa silloin, kun sen sisällä on räjähtävää kaasuseosta.

Puhaltimen tahattoman kallistumisen estämiseksi sen kiinnitys on varmistettava ruuveilla (M6x10). (kaksi ruuvia kooltaan 450). Tämän lisäksi jokainen sarana on varmistettu yhdellä ruuvilla (M8x16), jota on käytettävä myös puhaltimen varmistamiseen avattuna siten, että puhallin ei pääse kallistumaan alaspäin. Kuva 13.

Kallista puhallinta varovasti, älä pudota

EX 140/180 –puhallintyyppi on varustettava moottorin varokatkaisimella, joka on viritettävä siten, että se suojaa moottoria ylikuormittumiselta ja vapauttaa moottorin 15 sekunnin kuluttua, jos siipipyörän pyöriminen estyy. Moottorin suojan laukaisuaajan määrittelemistä varten tulee olla laukaisukäyrä, joka näyttää moottorisuojan laukaisuaajan käynnistysvirtasuhteen funktiona $2,9 < IA/IN < 8$ 20°:een ympäristön lämpötilassa. Moottorisuojan laukaisuaika ei saa poiketa yli 20 % laukaisukäyrän arvosta. Puhaltimen moottorin virran rajoittamiseksi taulukossa 1 ilmoitettuun arvoon, staattinen paine on sovittava puhallinta kuristamalla. Puhaltimia ei saa asentaa ulos (poikkeuksena DVEX). Turvalaitteita (esim. moottorisuoja, turvasäleikkö) ei saa poistaa, ohittaa eikä kytkeä pois käytöstä. Ennen huoltoa tai korjausta varmistu, että virta on katkaistu (pääkatkaisija) ja että siipipyörät ovat täysin pysähtyneet.

VAROITUS. Puhaltimissa voi olla terävät reunat ja nurkat, jotka voivat aiheuttaa tapaturmia. Ole varovainen avatessasi puhaltimen huoltoluukkuja (kääntyviä), koska puhallin ja moottori ovat painavia.

Kuljetus ja varastointi

Kaikki puhaltimet pakataan tehtaalla siten, että ne kestävät normaalia käsittelyä kuljetuksen aikana. Laitteita käsitellessäsi käytä sopivia nostolaitteita puhaltimien ja vahingoittumisen estämiseksi ja henkilökunnan turvallisuuden vuoksi. Huom! Älä nosta puhaltimia moottorinkaapelista, kytkentäkotelosta, siipipyörästä eikä imukartiosta. Vältä lyönnejä ja iskuja. Säilytä puhaltimia asennukseen saakka kuivassa säältä ja likaantumiselta suojatussa paikassa. Vältä liian pitkää varastointia-aikaa (suosittelemme maks. yksi (1) vuosi). Ennen puhaltimen asennusta tarkista moottorilaakerin ääni. Jos puhallinta (KTEX, DKEX ja DVEX) ei käytetä pitkään aikaan, käämin eristys on tarkastettava. Vastuksen tulee olla $\geq 1,5 \text{ M}\Omega$.

Asennus

Ennen asennusta on aina tutustuttava turvallisuusohjeisiin. Asennusta varten vaaralliset alueet tulee luokitella SIND-FS 1983:2:n mukaan. Asennusta varten on vaarallinen alue

luokiteltava voimassa olevien määräysten (Ruotsissa SRVFS 2004:7) ja luokitellustandardien mukaan (CENELECin liittyneet Euroopan maat soveltavat EN 60079-10).

Ruostepartikkeleita ei saa olla virtausilmassa. Tarkastuslaitteessa on oltava merkintä "PTB03ATEX3045".

EX 140/180 –puhaltimet eivät ole nopeussäätöisiä. VAROITUS. Älä käytä metallisia ruuviliitoksia muovisissa liitäntäkoteloidissa. Tiivistä ruuviliitosrei'ät tulpilla varmistaaksesi, että IEC 529:n mukaiset kotelointiluokan IP 54 vaatimukset tulevat täytetyiksi. Ulkoilman lämpötilan ja kuljetettavan ilman lämpötilan tulee olla alueella $-20 \text{ }^\circ\text{C} \dots +40 \text{ }^\circ\text{C}$, EX140/180-tyypin puhaltimia ei saa asentaa suoraan auringonvaloon. Asenna puhallin oikeaan ilmanvirtaussuuntaan (ks. virtausnuoli). Puhallin on asennettava niin, että tärinät eivät välity kanavistoon eikä rakennuksen runkoon. (Tätä tarkoitusta varten on saatavana kiinnittimiä ja laippoja). Varmistu, että puhallin on kiinnitetty tukevasti ja vakaasti. Puhallin voidaan asentaa mihin suuntaan tahansa, ellei muuta ole mainittu. Puhaltimet on asennettava niin, että niiden huolto ja ylläpito on helppoa ja turvallista. Meluongelma voidaan välttää asentamalla äänenvaimentimet (saatavana lisävarusteena). Puhaltimet on tarkoitettu jatkuvaan käyttöön ilmoitetulla lämpötila-alueella.

Kanava-asennukset on suoritettava niin, että kotelointiluokka IP 20:n vaatimukset (verkon silmäkoko alle 12 mm) tulevat täytetyiksi tulopuolella ja IP 10:n vaatimukset (verkon silmäkoko alle 50 mm) lähtöpuolella. Osat, joista IP-suojaus riippuu, on suunniteltava riittävän lujasta materiaalista. Puhaltimesta tuleva kaapelipääte on asennettava niin, että se on mekaanisesti suojattu ja sopii kyseiseen käyttöympäristöön. Puhaltimen Ex 180-4 (440V 3-vaihe 60Hz) kaapelin on kestettävä vähintään 100 °C:n lämpötila. Ex 140/180:n liitäntäkaapelin halkaisijan on oltava 6,5-12 mm ja johtavan alueen $- 1,5-2,5 \text{ m}^2$. EX-puhaltimet tulee liittää verkkoon kiinteästi. Jos käytetään vaipan ulkopuolista maadoitusjohtoa, ks. **Kuva 8**, sivu 2 Maadoitusjohdin (b) on kiinnitettävä kahden peltilevyn (a) väliin. Lisävarusteena on saatavana seinäkiinnike FKX (2 kpl). Kiinnike asennetaan moottoriin, ks. **Kuva 7**.

Käyttö

Ennen puhaltimen käyttöönottoa on aina tutustuttava turvallisuusohjeisiin.

Tarkista ennen käynnistystä:

- Että mitatut arvot eivät saa olla suurempia, kuin puhaltimen tyyppikilvessä olevat arvot. Nimellisvirta voi pienentyä, kun puhallin asetetaan paineelliseksi. Liitäntäarvot vastaavat tyyppikilven arvoja: Maksimijännite on +6%, -10%, IEC 38:n mukaan. Nimellisvirtaa ei saa ylittää nimellisjännitteellä. Kun puhaltimien KTEX, DKEX ja DVEX nopeutta säädetään jännitettä alentamalla, puhaltimia voidaan ajaa jännitteellä, joka on 15 % - 100 % niiden nimellisjännitteestä. Pienintä sallittua staattista painehäviötä ei saa ylittää (ks. taulukko 1). Puhaltimia ei saa taajuusohjata.
- Että moottorisuojaus toimii.
- Että puhaltimen pyörimissuunta on nuolen mukainen.
- Että moottori käy tasaisesti (ilman epänormaalia ääntä)
- Että mitkään liikkuvat osat eivät kosketa vaippaa eivätkä suojaristikoita.
- Että mitkään laajat on-off-säädöt eivät ole käytössä. Puhaltimet on tarkoitettu jatkuvaan käyttöön.

Kunnossapito, huolto ja korjaukset

Ennen puhaltimen kunnossapitoa, huoltoa ja korjausta on aina tutustuttava turvallisuusohjeisiin. Ennen kuin pysäytät puhaltimen, varmista ettei mitään räjähdysalitiita kaasuja esiinny huonetilassa. Puhaltimen epätasapainon välttämiseksi ja laakereiden tarpeettoman kulumisen estämiseksi puhallin on puhdistettava tarvittaessa, vähintään kuitenkin kerran vuodessa. En seurattava, ettei laakereista kuulu häiriöääniä. Laakereiden käyttöikä riippuu käyttöajasta ja lämpötilasta, mutta sen pitäisi olla vähintään 40 000 tuntia. Vaihda laakerit, kun voiteluaine

on kuivunut. Ota yhteyttä toimittajaan. Yksivaiheisissa puhaltimissa on teipinpala, joka peittää tuuletusaukot Jos se on rikki, Systemairin tulee vaihtaa kondensaattori. Suodattimen avulla voidaan puhaltimen puhdistusväliä pidentää. Älä käytä painepesuria (höyrysuihkua) puhaltimien puhdistukseen. Varmistu, että puhaltimen siipipyörän tasauspainot eivät ole siirtyneet paikoiltaan eikä siipipyörä ole vääntynyt.

Tarkkaile, kuuluuko epänormaalia ääntä. Varmistu, että puhallinpyörä ei ole lukittu eikä moottorisuoja ei ole lauennut. Ulkoilmapuhaltimet; Jos puhallin on käyttämättä pidemmän aikaa kosteassa tilassa, se tulisi käynnistää min. kahdeksi(2) tunniksi joka viikko poistaaksesi mahdollisen kosteuden. **Komponenttien korjausta tai vaihtoa ei saa suorittaa ATEX-hyväksytyille tuotteille**

TAULUKKO 1

Tyyppi	Nimellisjännite (V)	Nimellisvirta (A)	I _{max} Säädettävässä (%) *1)	Nimelliste ho (kW)	Pienin saattinen vastapaine (Pa)					Kytkäkaavio Sivu 2
					Vaihe 1*2	Vaihe 2	Vaihe 3	Vaihe 4	Vaihe 5	
EX 140-2	230V3~/400V3~	2,25/1,28	-	0,70						10
EX 140-2C	230V1~	3,0	-	0,69						9
EX 140-4	230V3~/400V3~	0,66/0,38	-	0,13						10
EX140-4C	230V1~	0,63	-	0,12						9
EX 180-4	230V3~/400V3~	0,74/0,43	-	0,19						10
EX 180-4C	230V1~	0,91	-	0,19						9
KTEX 50-25-4	400V3~	0,85	12	0,49	0	0	0	30	90	(Y)
KTEX 50-25-4	230V3~	1,47	12	0,49	0	0	0	30	90	(D)
KTEX 50-30-4	400V3~	1,8	6	0,9	0	40	60	90	140	(Y)
KTEX 50-30-4	230V3~	3,1	6	0,9	0	40	60	90	140	(D)
KTEX 60-30-4	230V3~/400V3~	3,8/2,2	9	1,3	0	75	115	165	225	(D)/(Y)
KTEX 60-35-4	230V3~/400V3~	6,8/3,9	17	2,1	0	70	100	150	220	(D)/(Y)
KTEX 70-40-6	230V3~/400V3~	6,4/3,7	0	1,8	0	0	0	0	0	(D)/(Y)
DKEX 225-4	400V3~	0,85	12	0,49	0	0	0	30	90	(Y)
DKEX 225-4	230V3~	1,47	12	0,49	0	0	0	30	90	(D)
DKEX 250-4	400V3~	1,8	6	0,9	0	40	70	100	145	(Y)
DKEX 250-4	230V3~	3,1	6	0,9	0	40	70	100	145	(D)
DKEX 280-4	230V3~/400V3~	3,8/2,2	9	1,3	0	70	120	200	280	(D)/(Y)
DKEX 315-4	230V3~/400V3~	6,8/3,9	17	2,1	0	100	150	200	250	(D)/(Y)
DKEX 355-6	230V3~/400V3~	6,4/3,7	0	1,8	0	0	0	0	0	(D)/(Y)
DVEX 315D4	400V3~	0,23	0	0,12						(Y)
DVEX 315D4	230V3~	0,4	0	0,12						(D)
DVEX 355D4	230V3~/400V3~	0,81/0,47	12	0,26						(D)/(Y)
DVEX 400D4	230V3~/400V3~	1,31/0,76	12	0,39						(D)/(Y)
DVEX 450D4	230/400V 3-fas	2,46/1,42	6	0,72						
DVEX 500D6	230V3~/400V3~	1,50/0,87	0	0,38						(D)/(Y)
DVEX 560D6	230V3~/400V3~	2,13/1,23	5	0,62						(D)/(Y)
DVEX 630D6	230V3~/400V3~	3,72/2,15	0	1,07						(D)/(Y)

*1) Virta saa olla moottorin nimellisvirtaa suurempi enintään taulukoissa mainituilla arvoilla edellyttäen että, nimellisteho ei ylitetä.

*2) Vaihe	1	2	3	4	5
Jännite 230V3~	80	105	130	160	230
Jännite 400V3~	90	140	180	230	400

Tyypikilven selitteet, kuva 12

- a - EU vapaakauppa
- b - Notified body number for SP
- c - Sertifikaatin numero
- d - Sertifioitu eurooppalaisten standardien mukaisesti
- e - Räjähdyssäkestävä materiaali
- f - Suojausluokka ~ korkea turvallisuus
- g - Suojausluokka ~ käyttö hiekan kanssa
- h - Räjähdyssryhmä II (myös IIA, IIB ja IIC)
- i - Lämpötilaluokka, puhaltimelle sallittua suurinta pintalämpötilaa, 200 astetta, voidaan käyttää kaasuseoksille, joiden syttymislämpötila on suurempi kuin 200 °C
- j - Räjähdysturvallisen materiaalin merkintä
- k -
 - Kategoria 2 ~ vyöhyke 1 ~ tulenarkaa materiaalia on satunnaisesti normaalin käytön aikana
 - Tyypikilven yläpuolella olevassa lisäkivessä on tuotenumero/valmistajan numero/valmistuspäivä

Producent

Vore produkter er produceret i henhold til gældende EU-direktiv.



Systemair AB
 Industrivägen 3
 S-739 30 Skinnskatteberg
 Tel: + 46 222-440 00
 Fax: + 46 222-440 99

EU-overensstemmelseserklæring

I henhold til EUs ATEX direktiv 94/9/EC.

Kanalventilator for rund kanal

Type	Certifikat nr	Myndighed
EX 140-2	SP03ATEX3101x	SP *
EX 140-2C	SP03ATEX3101x	SP
EX 140-4	SP03ATEX3101x	SP
EX 140-4C	SP03ATEX3101x	SP
EX 180-4	SP03ATEX3101x	SP
EX 180-4C	SP03ATEX3101x	SP

Kanalventilator for rektangulær kanal

Type	Certifikat nr	Myndighed
KTEX 50-25-4	SP04ATEX3105x	SP *
KTEX 50-30-4	SP03ATEX3103x	SP
KTEX 60-30-4	SP04ATEX3107x	SP
KTEX 60-35-4	SP04ATEX3109X	SP
KTEX 70-40-6	SP04ATEX3111X	SP

Radialventilator

Type	Certifikat nr	Myndighed
DKEX 225-4	SP04ATEX3106x	SP *
DKEX 250-4	SP03ATEX3104x	SP
DKEX 280-4	SP04ATEX3108x	SP
DKEX 315-4	SP04ATEX3110X	SP
DKEX 355-6	SP04ATEX3112X	SP

Tagventilator

Type	Certifikat nr	Myndighed
DVEX 315D4	SP04ATEX3113X	SP *
DVEX 315D4	SP07ATEX3129X	SP
DVEX 355D4	SP04ATEX3114X	SP
DVEX 355D4	SP07ATEX3130X	SP
DVEX 400D4	SP05ATEX3115X	SP
DVEX 400D4	SP07ATEX3131X	SP
DVEX 450D4	SP04ATEX3116X	SP
DVEX 450D4	SP07ATEX3132X	SP
DVEX 500D6	SP04ATEX3117X	SP
DVEX 500D6	SP07ATEX3133X	SP
DVEX 560D6	SP05ATEX3118X	SP
DVEX 560D6	SP07ATEX3134X	SP
DVEX 630D6	SP04ATEX3119X	SP
DVEX 630D6	SP07ATEX3135X	SP

*SP = Swedish National Testing and Research Institute, SE-501 15 BORÅS, Sweden.

Følgende harmoniserede standarder anvendes :

EN 50 014: 1997 +A1 +A2
 Elektrisk materiel til eksplosionsfarlige atmosfærer - almindelige bestemmelser.

EN 50 019: 2000

Elektrisk materiel til eksplosionsfarlige atmosfærer – Forhøjet sikkerhed "e".

Producenten erklærer at ovenstående produkter er i overensstemmelse med kravene i Maskindirektivet, Lavspændingsdirektivet og EMC-direktivet som følger :

EN 1127-1

Maskinsikkerhed. Eksplosionsfarlige atmosfærer. Forebyggelse og beskyttelse mod eksplosion.

EN 13463-1:2001

Ikke-elektrisk udstyr til brug i eksplosive atmosfærer – Grundlæggende metoder og krav.

EU-overensstemmelseserklæring

I henhold til EUs Maskindirektiv 98/37/EC, bilag II B.

Ventilatorerne må ikke sættes i drift før de ventilations-systemer de skal inkorporeres i, er erklæret i overensstemmelse med maskindirektivet.

Følgende harmoniserede standarder anvendes :

EN 60 204-1

Maskinsikkerhed. Elektrisk materiel på maskiner. Del 1: Generelle krav.

EN 60 034-1 Roterende elektriske maskiner -

Del 1: Mærkedata og udførelse.

EN ISO 12100-1:2003.

Maskinsikkerhed - grundlæggende begreber og generelle principper for projektering.

EN 294

Maskinsikkerhed. Fareområder og sikkerhedsafstande. Beskyttelse af hænder og arme.

BEMÆRK: overensstemmelsen med EN 294 gælder kun monteret sikkerhedsudrustning under forudsætning af at disse indgår i vor leverance. Installatøren af det samlede system er ansvarlig for overensstemmelsen med EN 294.

EU-overensstemmelseserklæring

I henhold til EUs EMC-direktiv 89/336/EC, 92/31/EC og 93/68/EC

Følgende harmoniserede standarder anvendes :

EN 61000-6-3 Elektromagnetisk kompatibilitet (EMC) - Del 1: Generiske standarder – Immunitetsstandard for bolig, erhverv og letindustri miljøer.

EN 61000-6-2 Elektromagnetisk kompatibilitet (EMC)- Del 6-2: Generiske standarder – Immunitetsstandard for industrielle miljøer.

Komplet teknisk dokumentation findes tilgængeligt. Skinnskatteberg, 08 Aug 2003



Mats Sándor
 Teknisk chef

Sikkerhed

Installation, elektrisk tilslutning samt idriftsættelse skal udføres af autoriseret EI-installatør og udføres i overensstemmelse med de for installationen gældende forskrifter og krav. Installation udført i henhold til EN 60079-14 anses at opfylde stærkstrømsreglementets krav. Ventilatorerne opfylder kravene for installation i zone 1 og udsugning af luft fra zone 1 (både den transporterede luft i ventilatoren og omgivelses luften udenfor ventilatoren skal være den samme zone)

Ventilatoren skal monteres og beskyttes således at betryggende sikkerhed opnås imod farlig gnistdannelse forårsaget af at fremmed legemer kommer i kontakt med ventilatorhjulet.

Rustpartikler må ikke forekomme i luftstrømmen. Den transporterede luft må ikke virke korroderende på ventilatorhus, ventilatorhjul og motoraksel (Aluminium og maskinstål). Hvis ventilatoren ikke tilsluttes til et kanalsystem skal beskyttelses net monteres. Efter installation af ventilatoren må berøring af bevægelige dele ikke være muligt (EN 294). Elektrisk tilslutning skal udføres i henhold til koblingskemaet i klemkassen, mærkning på mærkepladen eller på kabel. **Jordforbindelsen skal altid tilsluttes.** (Hvis der er risiko for statisk elektricitet skal separat jordleder tilsluttes til ventilatorhuset.) Ventilatorerne må anvendes i eksplosivt miljø (EEx eq II T3 for 1-faset og EEx e II T3 for 3-faset) og til transport af gas, men må ikke tilsluttes til røggaskanal.

Ventilator type KTEX, DKEX og DVEX **skal altid** installeres med motorbeskyttelsesrelæ type U-EK230E, motorbeskyttelsesrelæet skal være mærket "PTB03ATEX3045". Motorbeskyttelsesrelæet er med manuel reset og en kontrollampe som lyser hvis motoren har været koblet ud. Motorbeskyttelsesrelæet skal placeres uden for Ex-zonen. Hvis DVEX ventilatoren er forsynet med vippebeslag (ekstra tilbehør), må ventilatoren ikke åbnes når den er udsat for eksplosivt miljø pga. risikoen for gnistdannelse. For at ventilatoren ikke skal kunne åbnes utilsigtet, skal den sikres med en skrue (M6x10) (2 skruer fra størrelse 450). Desuden skal hvert hængsel sikres med en skrue (M8x16), som også skal sikre ventilatoren i åben tilstand, så den ikke kan lukkes utilsigtet. Fig. 13

Åbning og lukning af ventilatoren skal ske varsomt.

Ventilator type EX 140/180 **skal altid** forsynes med motorværn som skal være indstillet så det beskytter motoren imod overbelastning og kobler ud inden 15 sekunder ved blokeret rotor. For at kunne fastsætte trægheden inden motorværnet udløser, skal der findes en kurve som viser trægheden, som en funktion af startstrømsforholdet (I_{A}/I_{N}) for $2,9 < I_{A}/I_{N} < 8$ ved en omgivelsestemperatur på 20°C. Motorværnets træghed må ikke afvige mere end 20 % fra kurven.

For at begrænse motorens driftsstrøm til den i tabel 1 angivne mærkestrøm skal ventilatorerne indreguleres til min. statisk modtryk i henhold til tabel 1.

Ventilatorerne må ikke monteres udendørs, (undtaget DVEX). Sikkerhedsforanstaltningerne (f.eks. motorbeskyttelse, afskærmning mv.) må ikke demonteres, overstyres eller frakobles. Inden service og vedligehold påbegyndes skal ventilatorerne være spændingsløse, (serviceafbryder) og ventilatorhjulet skal være fuldstændig standset.

Ventilatorerne kan have skarpe kanter og hjørner, hvilket kan forårsage skader. Udvis forsigtighed ved åbning af ventilatorens servicelemme, servicelemmen er relativt tunge på flere af ventilatorstørrelserne.

Transport og opbevaring

Samtlige ventilatorer der leveres af Systemair er emballerede for normal godshåndtering. Ved godshåndtering bør anvendes passende løftegrej for at undgå skader på produkter og personer. OBS! Løft ikke ventilatorerne i motorkabel, klemkasse, ventilatorhjul eller indløb. Undgå stød og slag. Ventilatorerne skal lagers tørt, og beskyttes imod smuds og vejrlig indtil endelig installation. Undgå langvarig opbevaring (vi anbefaler maksimum et år). Inden installation skal lejer kontrolleres for eventuel mislyd.

Installation

Inden installation skal afsnittet sikkerhed altid gennemgås.

Ventilatorerne er kun beregnede til fast installation.

Installationen forudsætter at klassificering af risikoområderne er udført i henhold til gældende forskrifter.

Jern og rustpartikler må ikke forekomme i luftstrømmen.

Motorbeskyttelsesrelæ skal være mærket "PTB 03ATEX3045".

Ventilatorerne EX 140/180 må ikke hastighedsreguleres.

Anvend ikke metal kabelforskringer i de tilfælde hvor

klemkassen er i plast. Luk evt. ubenyttede forskruningshuller med blindprop, vær opmærksom på, at IP54 kravet på klemkassen i henhold til IEC 529 skal opfyldes.

Omgivelsestemperatur og temperaturen på den transporterede luft skal ligge i intervallet -20°C til +40°C, ventilator type EX140/180 må ikke monteres i direkte sollys.

Monter ventilatoren med korrekt luftretning (se luftretningspil).

Ventilatoren skal monteres så vibrationer ikke kan overføres til

kanalsystem og bygningsdele. (montagedele findes som

tilbehør). Ventilatorerne kan monteres i valgfri position med

mindre andet er angivet. Ventilatoren skal monteres solidt og

stabil og på en sådan måde at service og vedligehold kan

udføres på betryggende måde. Lydproblemer kan forebygges

ved installation af lydæmpere (findes som tilbehør). Ventilatoren

er beregnet til kontinuerlig drift inden for det angivne

temperaturområde.

Kanalinstallationen skal udføres således at kapslingsklasse IP20

(maskestørrelse mindre end 12mm) overholdes på indløb og IP

10 (maskestørrelse mindre end 50mm) overholdes på udløb.

Delene som står for denne IP beskyttelse skal være

tilfredsstillende konstruerede med hensyn til styrke og

materialevalg. Tilslutningskablet fra ventilatoren skal installeres

så det er mekanisk beskyttet og at det er tilpasset anvendelse i

det omgivende miljø. Tilslutningskabel til ventilator Ex 180-

4(440V 3-faset 60Hz) skal kunne tåle min. 100°C.

Tilslutningskabel til Ex 140/180 skal være $\varnothing 6,5 - 12$ mm med en

ledningsareal på 1,5-2,5 mm². Tilslutning til Ex-ventilatorer skal

udføres som fast installation. Ekstern jording af ventilatorhus, se

Fig 8 side 2. Jordleder (b) skal monteres imellem 2 stk. metal (a).

Der findes vægbeslag FKX (2 stk.) som tilbehør. Beslag

monteres på motor, se **Fig. 7**.

Drift

Inden driftsstart skal afsnittet sikkerhed altid gennemgås.

Ved idriftsættelse skal følgende kontrolleres :

-Ventilatorens mærkedata: Målt strøm må ikke overstige

typeskiltets mærkestrøm ved mærkespændingen.

Maksimal spændingsvariation +6%, -10%, efter IEC 38. Ved

hastighedsregulering af ventilator type KTEX, DKEX og DVEX

må ventilatoren forsynes med en spænding fra 15% til 100% af

deres mærkespænding. Mindste angivne statiske tryktab skal

respekteres. (Se tabel1). Ventilatorerne må ikke

frekvensreguleres.

-Motorbeskyttelsens funktion.

-At rotationsretningen på ventilatorhjulet er rigtig – i pilens

retning.

-At der ikke høres mislyde fra ventilatoren.

-At bevægelige dele ikke berører ventilatorhuset.

-At der ikke anvendes en regulering med hyppige start og stop.

Ventilatoren er dimensioneret til kontinuerlig drift.

Service og vedligehold

Inden service og vedligehold påbegyndes skal afsnittet sikkerhed altid gennemgås.

Inden spændingen til ventilatoren afbrydes skal det kontrolleres,

at der ikke er eksplosiv luft overhovedet. Ventilatoren skal

kontrolleres og rengøres ved behov, dog mindst en gang/år for at

undgå ubalance med risiko for lejeskade som følge. Lejer

kontrolleres for mislyde. Lejerne er levetidssmurte og har en

levetid på mindst 40 000 timer. Ved lejeskift, kontakt

leverandøren. På enfasede ventilatorer skal tapen som dækker

kondensatorens ventilationsåbninger være hel, er den ikke det

skal kondensatoren udskiftes, dette arbejde skal udføres af

Systemair. Ved rengøring af ventilatoren må højtryksrensere ikke

anvendes. Rengøring skal udføres forsigtigt så ventilatorhullets

afbalanceringsvægte ikke forskubbes eller hjulet tager skade.
Efter rengøring kontrolleres at hjulet kan løbe frit og uden mislyde.
Kontrollerer om motorbeskyttelsen er tilkoblet. Hvis ventilatoren
efter kontrol ikke starter kontaktes leverandøren.
Ventilator installeret udendørs: Selv om der måske ikke er behov
for, at ventilatoren er i drift mindst én gang pr uge, så skal den

alligevel startes hver uge og være i drift i mindst 2 timer for at
fjerne fugt, som kan opstå ved kondensering i motoren.
Udskiftning eller reparation af komponenter **er ikke tilladt** på
ATEX godkendte produkter

Tabel 1

Model	Mærke- spænding (V)	Mærke- strøm (A)	I _{max} ved regl. (%) *1)	Mærke- Effekt (kW)	Min. statisk modtryk (Pa)					Koppl. skema side 2
					Trin 1 *2	Trin 2	Trin 3	Trin 4	Trin 5	
EX 140-2	230V3~/400V3~	2,25/1,28	-	0,70						10
EX 140-2C	230V1~	3,0	-	0,69						9
EX 140-4	230V3~/400V3~	0,66/0,38	-	0,13						10
EX140-4C	230V1~	0,63	-	0,12						9
EX 180-4	230V3~/400V3~	0,74/0,43	-	0,19						10
EX 180-4C	230V1~	0,91	-	0,19						9
KTEX 50-25-4	400V3~	0,85	12	0,49	0	0	0	30	90	(Y)
KTEX 50-25-4	230V3~	1,47	12	0,49	0	0	0	30	90	(D)
KTEX 50-30-4	400V3~	1,8	6	0,9	0	40	60	90	140	(Y)
KTEX 50-30-4	230V3~	3,1	6	0,9	0	40	60	90	140	(D)
KTEX 60-30-4	230V3~/400V3~	3,8/2,2	9	1,3	0	75	115	165	225	(D)/(Y)
KTEX 60-35-4	230V3~/400V3~	6,8/3,9	17	2,1	0	70	100	150	220	(D)/(Y)
KTEX 70-40-6	230V3~/400V3~	6,4/3,7	0	1,8	0	0	0	0	0	(D)/(Y)
DKEX 225-4	400V3~	0,85	12	0,49	0	0	0	30	90	(Y)
DKEX 225-4	230V3~	1,47	12	0,49	0	0	0	30	90	(D)
DKEX 250-4	400V3~	1,8	6	0,9	0	40	70	100	145	(Y)
DKEX 250-4	230V3~	3,1	6	0,9	0	40	70	100	145	(D)
DKEX 280-4	230V3~/400V3~	3,8/2,2	9	1,3	0	70	120	200	280	(D)/(Y)
DKEX 315-4	230V3~/400V3~	6,8/3,9	17	2,1	0	100	150	200	250	(D)/(Y)
DKEX 355-6	230V3~/400V3~	6,4/3,7	0	1,8	0	0	0	0	0	(D)/(Y)
DVEX 315D4	400V3~	0,23	0	0,12						(Y)
DVEX 315D4	230V3~	0,4	0	0,12						(D)
DVEX 355D4	230V3~/400V3~	0,81/0,47	12	0,26						(D)/(Y)
DVEX 400D4	230V3~/400V3~	1,31/0,76	12	0,39						(D)/(Y)
DVEX 450D4	230/400V 3-fas	2,46/1,42	6	0,72						
DVEX 500D6	230V3~/400V3~	1,50/0,87	0	0,38						(D)/(Y)
DVEX 560D6	230V3~/400V3~	2,13/1,23	5	0,62						(D)/(Y)
DVEX 630D6	230V3~/400V3~	3,72/2,15	0	1,07						(D)/(Y)

*1) Strømmen må overskride motorens mærkestrøm med højst de i tabellen angivne værdier under forudsætning af mærkeeffekten ikke overskrides.

*2) Trin	1	2	3	4	5
Spænding 230V3~	80	105	130	160	230
Spænding 400V3~	90	140	180	230	400

Forklaring af typeskilt, Fig. 12

- a - EUs frihandelsmærke
- b - Certificeringsorgansnummer for SP
- c - Certifikatnummer
- d - Certificeret efter europæiske standarder
- e - Eksplosionsbeskyttet materiale
- f - Type af beskyttelse ~ forhøjet sikkerhed
- g - Type af beskyttelse ~ udført med sand
- h - Apparatgruppe II (også IIA, IIB och IIC)
- i - Temperaturklasse, max. Overfladetemp. på ventilator 200 °C kan anvendes til gas blanding med højere antændelsestemp. end 200°C
- j - Mærke for eksplosionsbeskyttet materiale
- k - kategori 2 ~ zone 1 ~ brandfarlig gas blanding kan forventes forekomme tilfældigt under normal drift
Tillægsskilt som er placeret ovenfor typeskiltet angiver Produktens artikelnummer / Ordernummer / Fremstillingsdato.

Производитель

Наше оборудование соответствует требованиям международных стандартов.



Systemair AB
Industrivägen 3
SE-739 30 Skinnskatteberg
SWEDEN
Office: +46 222 440 00
Fax: +46 222 440 99

Сертификат соответствия требованиям стран ЕС

соответствующий Директиве ATEX 94/9EC.

Вентиляторы для круглых каналов

Тип	№ сертификата	Авторизация
EX 140-2	SP03ATEX3101x	SP *
EX 140-2C	SP03ATEX3101x	SP
EX 140-4	SP03ATEX3101x	SP
EX 140-4C	SP03ATEX3101x	SP
EX 180-4	SP03ATEX3101x	SP
EX 180-4C	SP03ATEX3101x	SP
EX 140-2	SP03ATEX3101x	SP *)

Вентиляторы для прямоугольных каналов

Тип	№ сертификата	Авторизация
KTEX 50-25-4	SP04ATEX3105x	SP *
KTEX 50-30-4	SP03ATEX3103x	SP
KTEX 60-30-4	SP04ATEX3107x	SP
KTEX 60-35-4	SP04ATEX3109X	SP
KTEX 70-40-6	SP04ATEX3111X	SP

Центробежные вентиляторы

Тип	№ сертификата	Авторизация
DKEX 225-4	SP04ATEX3106x	SP *
DKEX 250-4	SP03ATEX3104x	SP
DKEX 280-4	SP04ATEX3108x	SP
DKEX 315-4	SP04ATEX3110X	SP
DKEX 355-6	SP04ATEX3112X	SP

Крышные вентиляторы

Тип	№ сертификата	Авторизация
DVEX 315D4	SP04ATEX3113X	SP *
DVEX 315D4	SP07ATEX3129X	SP
DVEX 355D4	SP04ATEX3114X	SP
DVEX 355D4	SP07ATEX3130X	SP
DVEX 400D4	SP05ATEX3115X	SP
DVEX 400D4	SP07ATEX3131X	SP
DVEX 450D4	SP04ATEX3116X	SP
DVEX 450D4	SP07ATEX3132X	SP
DVEX 500D6	SP04ATEX3117X	SP
DVEX 500D6	SP07ATEX3133X	SP
DVEX 560D6	SP05ATEX3118X	SP
DVEX 560D6	SP07ATEX3134X	SP
DVEX 630D6	SP04ATEX3119X	SP
DVEX 630D6	SP07ATEX3135X	SP

*SP= Шведский государственный исследовательский институт, SE-501 15 BORÅS, Sweden.

Учтены требования следующих гармонизированных стандартов:

EN 50 014: 1997+A1 +A2

Взрывозащищенные электрические материалы, общие требования.

EN 50 019: 2000

Конструкция с повышенной взрывозащитой «е».

Производитель гарантирует, что вышеуказанное оборудование соответствует требованиям раздела промышленного оборудования, раздела по низковольтному

оборудованию и раздела по электромагнитной совместимости как перечислено ниже

EN 1127-1

Взрывоопасная атмосфера – предотвращение и защита от взрыва.

EN 13463-1:2001

Неэлектрическое оборудование для потенциально взрывоопасных атмосфер.

Сертификат соответствия требованиям стран ЕС

соответствующий Директиве на промышленные машины 98/37/EC, приложение II B.

Эти вентиляторы не должны вводиться в эксплуатацию совместно с другим оборудованием, не соответствующим требованиям Директивы на промышленные машины стран ЕС.

Учтены требования следующих гармонизированных стандартов:

EN 60 204-1

Безопасность, Электрооборудование промышленных машин, Общие требования.

EN 60 034-1

Машины электрические вращающиеся, Часть 1: Расчетные электрические параметры и рабочие характеристики.

SS-EN ISO 12100-1:2003

Безопасность промышленных машин. Общие принципы конструирования.

EN294

Безопасность промышленных машин. Минимально-допустимые расстояния до зон досягаемости руками оператора.

Примечание: требования EN294 выполняются только в случае, если контакт блокировочного устройства является частью поставляемого оборудования.

Производитель системы ответственен за соответствие его стандарту EN294.

Сертификат соответствия требованиям стран ЕС

соответствующий Директивам на электромагнитную совместимость 89/336/EEC, 92/31/EEC и 93/68/EEC

Учтены требования следующих гармонизированных стандартов:

EN 61000-6-3: Электромагнитная совместимость –

общая помехоустойчивость. Излучение. Часть 1.

Общие требования для бытового, офисного, торгового и аналогичного оборудования.

EN 61000-6-2 Электромагнитная совместимость -

Часть 6-2. Общие требования. Невосприимчивость к промышленно окружающей среде.

Полный комплект документации предоставляется по требованию.

Скиннскаттеберг, 08 августа 2003



Mats Sándor
Технический руководитель

ТЕХНИКА БЕЗОПАСНОСТИ

Монтаж, электрическое подключение и наладка должны выполняться только уполномоченным персоналом в соответствии с требованиями и правилами работы с высоковольтным напряжением. Монтаж, проводимый согласно EN 60079-14, должен соответствовать требованиям Директивы по высоковольтным работам. Монтаж вентилятора должен быть осуществлен таким образом, чтобы предотвратить возникновение искр от контакта посторонних предметов с рабочим колесом вентилятора. Частицы ржавчины не должны попадать в поток воздуха. Переключаемый воздух не должен вызывать коррозию корпуса, рабочего колеса вентилятора (алюминиевого и стального). Если вентилятор не соединен с воздуховодами, необходимо предусмотреть установку защитной решетки. Движущиеся части вентиляторы не должны быть свободно доступны после окончания монтажа (EN 294). Электрическое подключение должно выполняться в соответствии со схемой подключения, изображенной на клеммной коробке, маркировке на клеммах или на кабелях. Всегда должно быть подключено заземление. (Если существует риск возникновения статического электричества, то отдельное заземление должно быть подключено к корпусу вентилятора). Вентиляторы могут эксплуатироваться во взрывоопасных помещениях (допуск для 1-фазных вентиляторов EEx eq II T3, для 3-х фазных вентиляторов – EEx e II T3) и использоваться для перемещения газов, но не могут подсоединяться к дымоходам. Вентиляторы серий KTEX, DKEX, DVEX должны быть обязательно оснащены защитным устройством типа U-EK230E, которое имеет маркировку PТВ03АТЕХ3045. Защитное устройство имеет кнопку ручного перезапуска и индикатор, который загорается при остановке двигателя вентилятора, защитное устройство должно устанавливаться вне взрывоопасного помещения. Если вентилятор серии DVEX оборудован поворотным устройством, то его нельзя открыть или наклонить при наличии взрывоопасной среды. Для предотвращения случайного опрокидывания, он должен быть закреплен винтом (M6x10). (2 винта для типоразмера 450 и больше). В добавлении к этому защелки закреплены одним винтом каждая, которые также должны предохранять вентилятор, когда он открыт, в таком случае вентилятор защищен от случайного опрокидывания. (Рис. 13) Вентиляторы серии EX 140/180 должны быть обязательно укомплектованы устройством защиты двигателя, которое настраивается таким образом, чтобы защищать двигатель от перегрузки и размыкать цепь питания в течение 15 сек в случае блокировки рабочего колеса. Для того чтобы определить требуемое время срабатывания защиты двигателя должна иметься кривая зависимости времени срабатывания защиты двигателя от колебательного тока (пусковое текущее состояние) (IA/IN) в интервале $2,9 < IA/IN < 8$ при температуре окружающей среды 20С. Допустимое отклонение времени срабатывания защиты двигателя от значений этой кривой не более 20%. Для того, чтобы ограничить токи

двигателя вентилятора до значений, указанных в таблице 1, статическое давление должно настраиваться изменением сопротивления сети (заглушкой). Вентиляторы не должны устанавливаться на улице, за исключением DVEX. Защитные принадлежности (устройство защиты двигателя, защитная решетка) не могут быть сняты, отключены или приведены в негодность. Перед обслуживанием, сервисом или ремонтом убедитесь, что электропитание отключено (все полюсный прерыватель) и что рабочее колесо вентилятора полностью остановилось. **ВНИМАНИЕ:** Вентиляторы могут иметь острые края и углы, что может вызвать раны и порезы. Будьте осторожны при открывании крышек люков для обслуживания – двигатель, установленный на люке достаточно тяжелый.

ТРАНСПОРТИРОВКА И ХРАНЕНИЕ

Все вентиляторы упаковываются на заводе таким образом, чтобы удовлетворять общепризнанным стандартам на транспортировку. При работе с изделиями используйте подъемное оборудование, чтобы предотвратить повреждение вентиляторов или персонала. **Внимание!** Не поднимайте вентиляторы за соединительный кабель, клеммную коробку, рабочее колесо или входной конус. Не допускайте ударов или ударных нагрузок. Вентиляторы должны храниться в сухом помещении до окончательного монтажа в систему. Если вентиляторы (KTEX, DKEX и DVEX) не были в эксплуатации продолжительный период времени необходимо проверить состояние изоляции обмоток двигателя (сопротивление не должно превышать 1,5 МΩ) и состояние подшипников (их шум в рабочем режиме).

УСТАНОВКА

Перед монтажом обязательно ознакомьтесь с разделом «Техника безопасности». Требования к монтажу предполагают, что классификация опасных зон соответствует SIND-FS 1983:2. Монтажные требования, которые квалифицируют взрывоопасные зоны, должны быть выполнены согласно действующим директивам (в Швеции применяют SRVFS 2004:7) и классификационным стандартам (Европейские страны, входящие в CENELEC применяют EN 60079-10). Классификация по SS 421 08 20 сочетается с требованиями вышеуказанных стандартов.

Частицы ржавчины не должны попадать в поток воздуха. Защитное оборудование должно иметь маркировку PТВ03АТЕХ3045. Вентиляторы EX 140/180 не имеют возможности регулировки скорости вращения. **ВНИМАНИЕ:** Не используйте металлические клепаные соединения для пластмассовых клеммных коробок. Используйте штампованные уплотняющие пробки для прессованных соединений, чтобы условия по классу изоляции IP54 соблюдались согласно стандарту IEC 529. Температура окружающей среды и температура перемещаемой среды должны быть в диапазоне от – 20°С до +40°С, вентиляторы серии EX140/180 нельзя устанавливать в местах воздействия прямых солнечных лучей. Вентилятор должен быть установлен в соответствии с указанным

направлением потока воздуха (см. стрелку на корпусе). Вентилятор должен быть установлен таким образом, чтобы вибрация не передавалась системе воздуховодов или на фундамент здания. (С этой целью отдельно поставляются такие принадлежности, как быстросъемные муфты и фланцы). Убедитесь, что вентилятор хорошо зафиксирован. Вентилятор допустимо устанавливать в любом положении, если не указано иного. Вентилятор должен быть смонтирован так, чтобы его обслуживание выполнялось легко и безопасно. Шум, распространяющийся по воздуховодам, может быть легко устранен путем использования глушителей (дополнительные принадлежности). Вентиляторы предназначены для длительной эксплуатации в указанных диапазонах температур.

Монтаж воздуховодов должен выполняться таким образом, чтобы всасывающий патрубок соответствовал классу изоляции IP20 (ширина соединительной муфты – IP10 (ширина соединения менее 50 мм)). Части, которые образуют защитную изоляцию по классификации IP, должны иметь соответствующую конструкцию и должны быть изготовлены из соответствующих материалов. Концы кабеля вентилятора должны быть защищены от механических повреждений и соединены соответствующим образом, подходящим для использования в окружающей среде. Кабели для вентиляторов EX 180-4 (440В, 3-х фазные, 60Гц) должны выдерживать температуру 100С.

Соединительный кабель для вентиляторов EX 140/180 должен иметь диаметр 6,5-12 мм и площадь сечения 1.5-2,5 мм². Главный выключатель для вентиляторов серии EX должен фиксироваться. При устройстве внешнего заземления корпуса смотрите рис. 8, стр. 2. Провод заземления должен крепиться между двумя жестяными пластинами (а). Монтажные скобы FKX (комплект из 2-х скоб) поставляются как дополнительная принадлежность. Скобы монтируются на двигатель, как показано на рис. 7.

ЭКСПЛУАТАЦИЯ

Пред эксплуатацией обязательно ознакомьтесь с разделом «Техника безопасности».

Перед запуском проверьте, что:

- Замеренные параметры не превышают значений, указанных на табличке вентилятора. Номинальный ток может снизиться при работе вентилятора с определенным сопротивлением сети. Электрические параметры соответствуют спецификации на табличке вентилятора: Максимальное напряжение +6%, -10% в соответствии с IEC 38. Номинальный ток не превышен при номинальном напряжении. При регулировании скорости вращения вентиляторов серий KTEX, DKEX, DVEX путем изменения напряжения, допускается их

эксплуатация с напряжением от 15% до 100% от номинального значения напряжения. Минимальное значение падения статического давления не должно превышать (согласно таблице 1). Вентиляторы не допускают регулирования скорости вращения путем изменения частоты тока.

- Работает устройство защиты двигателя
- Направление вращения вентилятора соответствует стрелке на корпусе
- Двигатель работает плавно (без дополнительного шума)
- Движущиеся части вентилятора не касаются корпуса или защитной решетки
- Нет внешней регулировки включения и выключения, поскольку вентилятор предназначен для длительной работы без остановок.

ОБСЛУЖИВАНИЕ, СЕРВИС И РЕМОНТ

Перед обслуживанием, сервисом и ремонтом обязательно ознакомьтесь с разделом «Техника безопасности». **Внимание!** Перед выключением вентилятора убедитесь в отсутствии взрывоопасной среды в зоне работы. Вентилятор должен очищаться по необходимости, по крайней мере, 1 раз в год для предотвращения дисбаланса и преждевременного выхода из строя подшипников. Подшипники необходимо проверять для выявления диссонирующего звука. Технический ресурс подшипников зависит от времени пробега и температуры, но составляет не менее 40 000 часов. Для замены подшипников при высыхании смазки, обращайтесь к поставщику вентилятора. На однофазных вентиляторах имеются кусочки клейкой ленты, которые закрывают вентиляционные отверстия. При выходе из строя конденсатора замена осуществляется персоналом поставщика. Установка фильтра перед вентилятором увеличит интервал между чистками вентилятора. При очистке вентилятора не используйте устройства, работающие под высоким давлением (паровые форсунки). Убедитесь в том, что не смещены балансовые грузики рабочего колеса вентилятора, и что рабочее колесо не перекошено. Обратите внимание на шум от работы двигателя. Убедитесь, что вентилятор не заблокирован и защита двигателя не сработала. Если вентилятор стационарно установлен для работы в зонах повышенной влажности, но не эксплуатируется длительное время, мы рекомендуем включать его на минимум 2 часа раз в неделю во избежание скопления конденсата.

Ремонт или замена компонентов для оборудования, соответствующего стандарту ATEX, запрещены.

Таблица 1

Модель	Табличное значение напряжения (В)	Табличное значение тока (А)	I _{max} при регулировке (%) * ¹	Табличное значение потребляемой мощности (кВт)	Минимальное противодавление (Па)					Электрическая схема
					Шаг 1* ²	Шаг 2	Шаг 3	Шаг 4	Шаг 5	
EX 140-2	230V3~/400V3~	2,25/1,28	-	0,70						10
EX 140-2C	230V1~	3,0	-	0,69						9
EX 140-4	230V3~/400V3~	0,66/0,38	-	0,13						10
EX140-4C	230V1~	0,63	-	0,12						9
EX 180-4	230V3~/400V3~	0,74/0,43	-	0,19						10
EX 180-4C	230V1~	0,91	-	0,19						9
KTEX 50-25-4	400V3~	0,85	12	0,49	0	0	0	30	90	(Y)
KTEX 50-25-4	230V3~	1,47	12	0,49	0	0	0	30	90	(D)
KTEX 50-30-4	400V3~	1,8	6	0,9	0	40	60	90	140	(Y)
KTEX 50-30-4	230V3~	3,1	6	0,9	0	40	60	90	140	(D)
KTEX 60-30-4	230V3~/400V3~	3,8/2,2	9	1,3	0	75	115	165	225	(D)/(Y)
KTEX 60-35-4	230V3~/400V3~	6,8/3,9	17	2,1	0	70	100	150	220	(D)/(Y)
KTEX 70-40-6	230V3~/400V3~	6,4/3,7	0	1,8	0	0	0	0	0	(D)/(Y)
DKEX 225-4	400V3~	0,85	12	0,49	0	0	0	30	90	(Y)
DKEX 225-4	230V3~	1,47	12	0,49	0	0	0	30	90	(D)
DKEX 250-4	400V3~	1,8	6	0,9	0	40	70	100	145	(Y)
DKEX 250-4	230V3~	3,1	6	0,9	0	40	70	100	145	(D)
DKEX 280-4	230V3~/400V3~	3,8/2,2	9	1,3	0	70	120	200	280	(D)/(Y)
DKEX 315-4	230V3~/400V3~	6,8/3,9	17	2,1	0	100	150	200	250	(D)/(Y)
DKEX 355-6	230V3~/400V3~	6,4/3,7	0	1,8	0	0	0	0	0	(D)/(Y)
DVEX 315D4	400V3~	0,23	0	0,12						(Y)
DVEX 315D4	230V3~	0,4	0	0,12						(D)
DVEX 355D4	230V3~/400V3~	0,81/0,47	12	0,26						(D)/(Y)
DVEX 400D4	230V3~/400V3~	1,31/0,76	12	0,39						(D)/(Y)
DVEX 450D4	230/400V 3-fas	2,46/1,42	6	0,72						
DVEX 500D6	230V3~/400V3~	1,50/0,87	0	0,38						(D)/(Y)
DVEX 560D6	230V3~/400V3~	2,13/1,23	5	0,62						(D)/(Y)
DVEX 630D6	230V3~/400V3~	3,72/2,15	0	1,07						(D)/(Y)

*¹) Ток может превышать значение, указанное на табличке вентилятора на указанный процент при условии, что потребляемая мощность не превышает табличного значения.

*²)

Шаг	1	2	3	4	5
Напряжение 230V3~	80	105	130	160	230
Напряжение 400V3~	90	140	180	230	400

Кодировка таблички вентилятора, рис. 12

- | | | | |
|---|--|---|---|
| a | - знак зоны свободной торговли Европейского сообщества | h | - категории взрывоопасных смесей, с которыми допущена эксплуатация агрегата II (также IIA, IIB и IIC) |
| b | - идентификационный номер шведского сертификационного органа | i | - температурный класс агрегата (максимальная температура поверхности вентилятора 200°C и его можно использовать с взрывоопасными смесями с температурой самовоспламенения, превышающих 200°C) |
| c | - номер сертификата. | j | - Логотип взрывозащищенного исполнения |
| d | - идентификация с европейскими стандартами | k | - категория агрегата 2 и соответствующая взрывоопасная зона 1 (взрывчатая газообразная среда возникает регулярно время от времени при нормальной эксплуатации).. |
| e | - взрывозащищенность материала | | |
| f | - тип используемой защиты (повышенная взрывозащита) | | |
| g | - тип используемой защиты (заполнение оболочки кварцевым песком) | | |

Дополнительные данные на табличке вентилятора означают номер изделия/номер производства/дату производства

Tootja

Meie poolt valmistatud tooted on kooskõlas vastavate EC standardite ja määrustega.



Systemair AB
Industrivägen 3
739 30 Skinnskatteberg
Tel: 0222-440 00
Fax: 0222-440 99

EC Vastavusdeklaratsioon

Määratletud EC ATEX direktiivi 94/9EC poolt..

Kanaliventilaator

Tüüp	Sertifikaadi nr	Asutus
EX 140-2	SP03ATEX3101x	SP *
EX 140-2C	SP03ATEX3101x	SP
EX 140-4	SP03ATEX3101x	SP
EX 140-4C	SP03ATEX3101x	SP
EX 180-4	SP03ATEX3101x	SP
EX 180-4C	SP03ATEX3101x	SP

Kandiline kanaliventilaator

Tüüp	Sertifikaadi nr	Asutus
KTEX 50-25-4	SP04ATEX3105x	SP *
KTEX 50-30-4	SP03ATEX3103x	SP
KTEX 60-30-4	SP04ATEX3107x	SP
KTEX 60-35-4	SP04ATEX3109X	SP
KTEX 70-40-6	SP04ATEX3111X	SP

Radiaalventilaator

Tüüp	Sertifikaadi nr	Asutus
DKEX 225-4	SP04ATEX3106x	SP *
DKEX 250-4	SP03ATEX3104x	SP
DKEX 280-4	SP04ATEX3108x	SP
DKEX 315-4	SP04ATEX3110X	SP
DKEX 355-6	SP04ATEX3112X	SP

Katuseventilaator

Tüüp	Sertifikaadi nr	Asutus
DVEX 315D4	SP04ATEX3113X	SP *
DVEX 315D4	SP07ATEX3129X	SP
DVEX 355D4	SP04ATEX3114X	SP
DVEX 355D4	SP07ATEX3130X	SP
DVEX 400D4	SP05ATEX3115X	SP
DVEX 400D4	SP07ATEX3131X	SP
DVEX 450D4	SP04ATEX3116X	SP
DVEX 450D4	SP07ATEX3132X	SP
DVEX 500D6	SP04ATEX3117X	SP
DVEX 500D6	SP07ATEX3133X	SP
DVEX 560D6	SP05ATEX3118X	SP
DVEX 560D6	SP07ATEX3134X	SP
DVEX 630D6	SP04ATEX3119X	SP
DVEX 630D6	SP07ATEX3135X	SP

*SP= Rootsi Riiklik Testimis- ja Uurimisinstituut, SE-501 15 BORÅS, Rootsi

Kasutatakse ka järgmisi kooskõlastatud standardeid:

EN 50 014: 1997 +A1 +A2

Plahvatuskaitsega elektrimaterjal, üldnõuded

EN 50 019: 2000

Disain suurendatud kaitsega 'e'.

Tootja tagab, et ülalloodud tooted on kooskõlas allpool kirjas olevate Masinate loendis, Madalpinge loendis ja EMC loendis äratoodud nõuetega.

EN 1127-1

Plahvatusohtlik atmosfäär – Plahvatuste vältimine ja kaitse plahvatuste eest.

EN 13463-1:2001

Mitteelektriseadmed potentsiaalselt plahvatusohtlike atmosfääride jaoks.

EC Vastavusdeklaratsioon

Määratletud EC Masinate direktiivi 98/37/EC, Lisa II B poolt

Ventilaatorit ei tohi kasutada, kui kõik selle osad ei ole vastavuses EC Masinadirektiiviga.

Kasutatakse ka järgmisi kooskõlastatud standardeid:

EN 60 204-1

Masinate ohutus, masinate elektriseadmed, üldnõuded EN 60 034-1

Pöörlevad elektrilised masinad; I osa: elektrinäidud ja talitlus

SS-EN ISO 12100-1:2003.

Masinate ohutus. Põhimõisted, ehituse üldpõhimõtted.

EN 294

Masinate ohutus: Ohutu tsoon on väljaspool käeulatust.

Tähelepanu: vastavusnõue standardiga EN 294 käib paigaldatud ohutusseadme kohta tingimusel, et need tarnitakse koos ventilaatoriga. Süsteemi valmistaja vastutab vastavuse eest standardiga EN 294.

EC Vastavusdeklaratsioon

Määratletud EC EMC direktiivi 89/336/EEC, 92/31/EEC ja 93/68/EEC poolt

Kasutatakse ka järgmisi kooskõlastatud standardeid::

EN 61000-6-3: Elektromagnetiline ühilduvus – Üldine häiringukindlus-kiirgus – I osa: Üldnõuded kodutehnikale, bürootehnikale, kauplustele ja muudele sarnastele keskkondadele.

EN 61000-6-2 Elektromagnetiline ühilduvus (EMC) – II osa: Üldnõuded – häiringukindlus tööstuskeskkonna tehnika jaoks.

On võimalik tellida täielikku tehnilist dokumentatsiooni.

Skinnskatteberg, 08. august 2003



Mats Sándor
Tehniline juht

Ohutusala teave

Seadet tohivad paigaldada, elektritoetega ühendada ja esmakäivitust läbi viia ainult selleks volitatud isikud, kes peavad järgima kõrgpingeliinide regulatsiooni nõudeid. Paigaldamist, mis on läbi viidud vastavalt standardile EN 60079-14, peetakse kooskõlas olevaks kõrgpinge direktiivi nõuetega. Ventilatorit tuleks paigaldada nii, et see oleks kaitstud sädemete eest, mille võivad esile kutsuda vastu tiivikut puutuvad välised objektid. Õhuvoolus ei tohi olla roosteosakesi. Transporditav õhk ei tohi korrodeerida ventilatorit korpus, tiivikut ega telge (valmistatud alumiiniumist ja terasest). Kui ventilatorit ei paigaldata kanalisse, tuleb paigaldada kaitsevõrk. Peale paigaldamist ei tohiks keegi liikuvatele osadele liigi pääseda (EN 294). Elektrihüendus tuleks luua vastavalt joonistele klemmkarbis, klemmide markeritel või kaablil. Maandus peab kogu aeg olema sisse lülitatud. (Kui on staatilise elektri oht, tuleb ventilatorit korpussele paigaldada eraldi maandus.) Ventilatorit tohib kasutada plahvatusohtlikes keskkondades (EE eq II T3 ühefaasilise ja Eex e II T3 kolme faasilise puhul) ja gaaside transportimiseks, aga neid ei tohi paigaldada suitsulõõridesse. Ventilatorimudelid KTEX, DKEX ja DVEX tuleb paigaldada koos U-EK230E tüüpi jälgimisseadmega, jälgimisseade tuleb tähistada järgnevalt: "PTB03ATEX3045". Jälgimisseadmel on käsitsinullimise võimalus ning indikaatorituli, mis põleb, kui mootor on välja lülitatud: seade tuleb asetada ohutsoonist väljapoole.

Kui DVEXi ventilator on varustatud kallutusseadmega, ei tohi seda avada ega kallutada plahvatusohtlikus atmosfääris. Et ventilator kogemata kummuli ei kukuks, tuleb see kruviga (M6x10) kinni kruvida. (2 kruviga alates mudelist 450!) Lisaks sellele tuleb kõik metallkandurid kinnitada igaüks ühe kruviga (M8x16), mida tuleb samuti kasutada ventilatorit kinnitamiseks sellisel et, see takistaks ventilatorit kogemata kummulikkumist kui see on avatud. Joonis 13.

Lülitage ventilator ettevaatlikult välja, ärge laske sel maha kukkuda.

Ventilatoritüüp EX 140/180 tuleb varustada mootori kaitseüliliga, mida tuleks reguleerida nii, et see kaitseks mootoreid ülekoormuse eest ja lülitaks ventilatorit välja 15 sekundi jooksul alates sellest hetkest kui miski tiivikut segab. Lülitusaja määramiseks peab olema olemas lülitusköver, mis näitab mootorikaitse lülitusaega võnkumiseelse voolutingimuse funktsioonina (käivitusvoolu olek) (IA/IN) $2,9 < IA/IN < 8$, kui välistemperatuur on 20°C. Kõrvalekalle lülituskövera andmetest ei tohi mootorikaitse sissilülituse aja puhul olla rohkem kui 20%. Piiramaks ventilatorit voolu tabelis 1 antud numbritega, tuleb staatilist rõhku reguleerida ventilatorit pöörded vähendades. Ventilatoreid pole lubatud välja paigaldada (välja arvatud mudelit DVEX). Kaitsetarvikuid (s.t mootorikaitse, kaitsevõre) ei tohi demonteerida, lühistada ega vooluvõrgust eemaldada. Enne hooldus-, teenindus- või parandustööd kontrollige, et seade poleks voolu all (kõikide pooluste kaitseülilid) ja et tiivik ei liiguks. **ETTEVAATUST** Ventilatoritel on teravad ääred ja nurgad, mis võivad vigastusi tekitada. Olge ventilatorit hooldusluukide avamisel ettevaatlikud (luugid avanevad tugeva löögiga); luugi külge kinnitatud ventilator ja selle mootor on küllaltki rasked.

Transport ja ladustamine

Kõik ventilatorid on tehas pakitud nii, et need peaksid vastu tavalisele transporditingimustele. Toodete käsitsemisel inimeste ja toote kaitsemiseks kasutage sobivat töstmisvahendit. Märkus! Ärge tõstke ventilatoreid üles neid juhtmetest, ühenduskarbit, tiivikut ega õhu sisselaskelehtist kinni hoides. Ärge ventilatoreid lööge ega raputage. Paigaldamisele eelnevalt hoidke ventilatoreid kuivas kohas, kus need oleks kaitstud ilmastikumõjude ja mustuse eest. Kui ventilatorit (KTEX, DKEX, DVEX) pole pikka aega kasutatud, tuleb kontrollida nende mähise isolatsiooni. Takistus peab olema $\geq 1,5 \text{ M}\Omega$. Vältige pikaajalist ladustamist (soovitav on max 1 aasta). Enne paigaldamist veenduge, et mootori laagrid ei tekit mingisugust müra.

Paigaldamine

Enne seadme paigaldamist lugege läbi ülaltoodud Ohutusteave.

Paigaldamine eeldab, et ohutsoonide klassifikatsioon on kooskõlas standardiga SIND-FS 1983:2. Paigaldamisel on nõutav, et ohtliku ala klassifikatsioon oleks kooskõlas kehtivate nõuetega (Rootsis rakendatakse standardit SRVFS 2004:7) ja klassifikatsioonistandarditega (Euroopa riikides, kes on ühendatud CENELEC-iga, rakendatakse standardit EN 60079-10).

Õhuvoolus ei tohi olla roosteosakesi. Jälgimisseade tuleb tähistada järgnevalt: "PTB03ATEX3045".

EX 140/180 ventilatorite kiirust ei ole võimalik reguleerida.

ETTEVAATUST Ärge kasutage plastikust klemmkarpidel metallist ühendusliitmikke.

Ühendusliitmike puhul kasutage pistiktühendit, tagamaks korpuseklassi IP 54 nõuete täitmist vastavalt standardile IEC 529. Välistemperatuuri ja transporditava õhu temperatuuri vahemik peaks olema jääma -20°C kuni +40°C vahele, ventilatorit EX 140/180 ei tohi asetada otsese päikesevalguse kätte. Paigaldage ventilator vastavalt õhuvoolu suunale (vt. noolt seadme peal). Ventilator tuleb paigaldada nii, et vibratsioon ei kanduks edasi kanalisse ega hoone karkassile. (Saadaval on sobivad tarvikud, nagu näiteks klambrid ja äärikud.)

Kontrollige, et ventilator oleks tugevasti kinnitatud ja tasakaalustatud. Ventilatorit võib paigaldada ükskõik millises suunas, kui pole öeldud vastupidist. Ventilatorid tuleb paigaldada nii, et teenindus- ja hooldustööd saab teostada lihtsalt ja turvaliselt. Müra vältimiseks on võimalik paigaldada mürasummutid (tarvik on saadaval). Ventilatorid on mõeldud pidevaks tööks eelmainitud temperatuurivahemikus.

Kanalisse paigaldamised tuleb läbi viia nii, et klass IP 20 korpus (võrgusilma suurus väiksem kui 12 mm) on täidetud sisselaskeava juures ja korpus IP 10 (võrgusilma suurus väiksem kui 50 mm) on väljalaskeava juures. Osad, mis peavad tagama IP kaitse, peavad olema rahuldava tugevusega ja ehitatud heast materjalist. Ventilatorist väljatulev kaabli ots tuleb paigaldada nii, et see on mehaaniliselt kaitstud ja sobib kasutamiseks ümbritsevas keskkonnas. Ventilatorit Ex 180-4 (440V kolme faasiline, 60 Hz) kaabel peaks taluma vähemalt 100°C temperatuuri.

Ühenduskaabel ventilatorit Ex 140/180 jaoks peab olema ristlõikega 6,5–12 mm ja juhtpinnaga 1,5–2,5 mm². Toiteliin EX ventilatorite jaoks peab olema stationaarne. Juuhkui korpusel on väline maandus, vt joonis 8, lk 2. Maandusjuhe (b) tuleb kinnitada 2 tinaplaadiga (a). Paigalduskamber FKX (2-osaline) on tarvikuna saadaval. Klamber tuleb paigaldada mootorile vt joonis 7.

Töötamine

Enne esimest käivitust lugege alati läbi ülaltoodud ohutusala teave.

Käivitamisel kontrollige järgnevat:

- Nimiaandmed ei tohi ületada ventilatorit nimeplaadil olevaid andmeid. Voolu võib langetada, kui ventilator on rõhu all. Ühendusandmed peavad vastama nimeplaadil olevatele spetsifikatsioonidele: Maksimaalne pingeline +6%, -10%, vastavalt standardile IEC 38.

- Nimivool ei tohi ületada nimipinget. Kui reguleeritakse ventilatorite kiirust (mudelid KTEX, DKEX ja DVEX), tuleb pingeline vähendamisel ventilatorid panna tööle nimipingel 15% kuni 100% nende nimipingest. Minimaalset staatilise rõhu langust ei tohi ületada (Vt Tabel 1). Ventilatorid ei tohi sagedusjuhatavad.

- Et mootorikaitse töötaks.

- Et ventilator pöörlemis-suund oleks sama, mis noolega näidatud.

- Et mootor töötaks sujuvalt (ei oleks kuulda ebanormaalselt müra).

- Et ventilatorit liikuvad osad ei puutuks vastu korpus või kaitsevõrku.

- Et ei kasutataks ulatuslikku sisse-välja lülitamise programmi.

Ventilatorid on mõeldud pidevaks kasutamiseks

Hooldus, teenindus ja remont

Enne hooldus-, teenindustööde või remondi alustamist lugege alati läbi ülaltoodud ohutusala teave. Enne ventilatorit

väljalülitamist veenduge, et plahvatusohtlik keskkond puudub. Vajaduse korral tuleb ventilaatorit puhastada, vähemalt kord aastas, et vältida tasakaaluprobleeme ja asjatute kahjustuste tekkimist laagritele. Laagrite tuleks kontrollida, kas nad ei tee vale häält. Laagrite eluiga sõltub tööajast ja temperatuurist, aga nad peaksid kestma vähemalt 40 000 tundi. Kui õli enam pole, asendage laagrid, selleks võtke ühendust tarnijaga. Ühefaasilistel ventilaatoritel katab õhuavasid tükki kleepuvat teipi. Kui see on katki, tuleb kondensaator välja vahetada Systemair personali poolt. Filter pikendab ventilaatori puhastamise vahele jäävat

ajavahemikku. Ärge kasutage ventilaatori puhastamiseks kõrgsurvega puhastajat (aurujuga). Kontrollige, et ventilaatori tiiviku tasakaalustavaid raskuseid kohalt ei liigutataks ja tiivikut ise ei väänataks. Kuulakse, kas ventilaator teeb ebanormaalselt häält. Kontrollige, et miski ei seisaks ventilaatori ees ja et mootorikaitse töötaks. Välistingimustesse või niiskesse keskkonda paigaldatud ventilaatoreid peaks käima lülitama vähemalt kaheks tunniks nädalas, et kõrvaldada võimalik kondenseerunud niiskus. **ATEX tunnustuse saanud toodete parandamine või väljavahetamine pole lubatud.**

Table 1

Model	Nimipinge (V)	Nimivool (A)	I _{max} Reguleerimisel (%) *1)	Nimi-võimsus (kW)	Min. staatiline vasturõhk (Pa)					Ühendus-skeem Lk. 2
					Aste 1*2	Aste 2	Aste 3	Aste 4	Aste 5	
EX 140-2	230V3~/400V3~	2,25/1,28	-	0,70						10
EX 140-2C	230V1~	3,0	-	0,69						9
EX 140-4	230V3~/400V3~	0,66/0,38	-	0,13						10
EX140-4C	230V1~	0,63	-	0,12						9
EX 180-4	230V3~/400V3~	0,74/0,43	-	0,19						10
EX 180-4C	230V1~	0,91	-	0,19						9
KTEX 50-25-4	400V3~	0,85	12	0,49	0	0	0	30	90	(Y)
KTEX 50-25-4	230V3~	1,47	12	0,49	0	0	0	30	90	(D)
KTEX 50-30-4	400V3~	1,8	6	0,9	0	40	60	90	140	(Y)
KTEX 50-30-4	230V3~	3,1	6	0,9	0	40	60	90	140	(D)
KTEX 60-30-4	230V3~/400V3~	3,8/2,2	9	1,3	0	75	115	165	225	(D)/(Y)
KTEX 60-35-4	230V3~/400V3~	6,8/3,9	17	2,1	0	70	100	150	220	(D)/(Y)
KTEX 70-40-6	230V3~/400V3~	6,4/3,7	0	1,8	0	0	0	0	0	(D)/(Y)
DKEX 225-4	400V3~	0,85	12	0,49	0	0	0	30	90	(Y)
DKEX 225-4	230V3~	1,47	12	0,49	0	0	0	30	90	(D)
DKEX 250-4	400V3~	1,8	6	0,9	0	40	70	100	145	(Y)
DKEX 250-4	230V3~	3,1	6	0,9	0	40	70	100	145	(D)
DKEX 280-4	230V3~/400V3~	3,8/2,2	9	1,3	0	70	120	200	280	(D)/(Y)
DKEX 315-4	230V3~/400V3~	6,8/3,9	17	2,1	0	100	150	200	250	(D)/(Y)
DKEX 355-6	230V3~/400V3~	6,4/3,7	0	1,8	0	0	0	0	0	(D)/(Y)
DVEX 315D4	400V3~	0,23	0	0,12						(Y)
DVEX 315D4	230V3~	0,4	0	0,12						(D)
DVEX 355D4	230V3~/400V3~	0,81/0,47	12	0,26						(D)/(Y)
DVEX 400D4	230V3~/400V3~	1,31/0,76	12	0,39						(D)/(Y)
DVEX 450D4	230/400V 3-fas	2,46/1,42	6	0,72						(D)/(Y)
DVEX 500D6	230V3~/400V3~	1,50/0,87	0	0,38						(D)/(Y)
DVEX 560D6	230V3~/400V3~	2,13/1,23	5	0,62						(D)/(Y)
DVEX 630D6	230V3~/400V3~	3,72/2,15	0	1,07						(D)/(Y)
DVEX 400D4	230V3~/400V3~	1,31/0,76	12	0,39						(D)/(Y)
DVEX 450D4	230/400V 3-fas	2,46/1,42	6	0,72						(D)/(Y)
DVEX 500D6	230V3~/400V3~	1,50/0,87	0	0,38						(D)/(Y)
DVEX 560D6	230V3~/400V3~	2,13/1,23	5	0,62						(D)/(Y)
DVEX 630D6	230V3~/400V3~	3,72/2,15	0	1,07						(D)/(Y)

*1) Voolutugevus võib ületada nimivoolu antud % võrra ainult juhul kui koguvõimsus ei ületa nimivõimsust.

*2) Aste	1	2	3	4	5
Pinge 230V3~	80	105	130	160	230
Pinge 400V3~	90	140	180	230	400

Sildi selgitus, Joon. 12

- a - EU
- b - SP sertifitseerimisorgani nr.
- c - Sertifikaadi number
- d - Sertifitseeritud kooskõlas Euroopa standarditega
- e - Plahvatuskindel materjal
- f - Kaitseklass ~ kõrge turvalisus
- g - Kaitseklass ~ appliances with sand
- h - Plahvatusgrupp II (samuti IIA, IIB ja IIC)
- i - Temperatuuriklass, max. Ventilaatori pinnatemperatuur 200 kraadi kehtib gaasisegude, mille süttimistemperatuur on kõrgem kui 200°C korral

- j - Plahvatuskindla materjali logo
- k - Kategooria 2 ~ tsoon 1 ~ Plahvatusohtlikud gaasid võivad juhuslikult ilmuda tavakasutuse korral. Lisasilt nimesildi kohal näitab artiklinr./ tootmisnr./ tootmiskuupäeva

Producator

Echipamentele noastre sunt fabricate conform standardelor si reglementarilor EC.



Systemair AB
Industrivägen 3
SE-739 30 Skinnskatteberg
SWEDEN
Office: +46 222 440 00
Fax: +46 222 440 99

EC Declaratie de Conformitate

Definita de EC conform ATEX Directive 94/9EC.

Ventilatoare pentru tubulaturi circulare

Type	Certificate no	Authority
EX 140-2	SP03ATEX3101x	SP *
EX 140-2C	SP03ATEX3101x	SP
EX 140-4	SP03ATEX3101x	SP
EX 140-4C	SP03ATEX3101x	SP
EX 180-4	SP03ATEX3101x	SP
EX 180-4C	SP03ATEX3101x	SP
EX 140-2	SP03ATEX3101x	SP *

Ventilatoare pentru tubulaturi rectangulare

Type	Certificate no	Authority
KTEX 50-25-4	SP04ATEX3105x	SP *
KTEX 50-30-4	SP03ATEX3103x	SP
KTEX 60-30-4	SP04ATEX3107x	SP
KTEX 60-35-4	SP04ATEX3109X	SP
KTEX 70-40-6	SP04ATEX3111X	SP

Ventilator centrifugal

Type	Certificate no	Authority
DKEX 225-4	SP04ATEX3106x	SP *
DKEX 250-4	SP03ATEX3104x	SP
DKEX 280-4	SP04ATEX3108x	SP
DKEX 315-4	SP04ATEX3110X	SP
DKEX 355-6	SP04ATEX3112X	SP

Ventilator de acoperis

Type	Certificate no	Authority
DVEX 315D4	SP04ATEX3113X	SP *
DVEX 315D4	SP07ATEX3129X	SP
DVEX 355D4	SP04ATEX3114X	SP
DVEX 355D4	SP07ATEX3130X	SP
DVEX 400D4	SP05ATEX3115X	SP
DVEX 400D4	SP07ATEX3131X	SP
DVEX 450D4	SP04ATEX3116X	SP
DVEX 450D4	SP07ATEX3132X	SP
DVEX 500D6	SP04ATEX3117X	SP
DVEX 500D6	SP07ATEX3133X	SP
DVEX 560D6	SP05ATEX3118X	SP
DVEX 560D6	SP07ATEX3134X	SP
DVEX 630D6	SP04ATEX3119X	SP
DVEX 630D6	SP07ATEX3135X	SP

*SP= Institutul national de testare si cercetare,
SE-501 15 BORÅS, Sweden.

Urmatoarele standarde armonizate au fost utilizate:

EN 50 014: 1997+A1 +A2
Echipamente electrice protejate contra exploziilor, cerinte generale.

EN 50 019: 2000

Proiectare cu protectie crescuta "e".

Producatorul garanteaza ca echipamentele mentionate mai sus sunt conforme cerintelor din paragraful Echipamente, tensiune redusa si Compatibilitate electromagnetica.

EN 1127-1

Atmosfera exploziva – Prevenirea si protectia contra exploziilor.

EN 13463-1:2001

Echiamnt ne-electric pentru atmosphere potential explozive.

EC Declaratie de conformitate

Definita de EC's Directiva pentru echipamente 98/37/EC, appendix II B.

Ventilatorul nu va fi folosit inainte ca toate echipamentele cu care este integrat sa fie conform directivei EC cu privire la Echipamente.

Urmatoarele standarde armonizate au fost utilizate:

EN 60 204-1

Siguranta echipamentelor; echipamente electrice; cerinte generale.

EN 60 034-1

Echipamente electrice rotative; partea 1: Caracteristici electrice si comportament in sarcina.
SS-EN ISO 12100-1:2003.

Siguranta echipamentelor. Concepte si principii generale pentru proiectare.

EN294

Siguranta echipamentelor; Distanțe de siguranta pentru a preveni contactul intre membrele superioare si zonele periculoase.

Observe: Conformitatea cu EN 294 se aplica intrustructiunilor de montaj daca acestea sunt furnizate. Montatorul este responsabil de respectarea EN 294.

EC Declaratie de conformitate

Definite de EC EMC-directive 89/336/EEC, 92/31/EEC si 93/68/EEC

Urmatoarele standarde armonizate au fost utilizate:

EN 61000-6-3 :Imunitate generala -Emission –Partea 1: Cerinte generale pentru echipamente in case, magazine sau spatii asemanatoare

EN 61000-6-2 Compatibilitate electromagnetica (EMC) – Partea 6-2: Cerinte generale – Imunitate pentru aplicatii din medii industriale.

Documentatia tehnica completa este disponibila.

Skinnskatteberg, 08 Aug 2003



Mats Sándor
Technical Manager

Siguranta in exploatare

Instalarea, conectarea la curent si darea in exploatare trebuie sa fie efectuate numai de catre personal autorizat si sa se efectueze conform normelor si cerintelor reglementarilor cu privire la curenti de inalta tensiune. Instalarea conforma cu EN 60079-14 se considera ca este in concordanta cu directivele referitoare la curenti cu tensiune mare. Ventilatorul trebuie sa fie instalat si protejat pentru a nu produce scintei datorita lovirii palelor de catre obiecte straine. Particule de rugina nu trebuie sa se gaseasca in curentul de aer. Aerul transportat nu trebuie sa corodeze carcasa ventilatorului, rotorul sau axul. Daca ventilatorul nu este instalat in tubulatura, trebuie sa i se ataseze o grila de protectie. Nici o piesa in miscare nu trebuie sa ramina accesibila dupa montaj (EN 294). Conexiunile electrice trebuie executate conform diagramei de pe terminal si marcajelor de pe terminale sau cabluri. Impamintarea trebuie sa fie intotdeauna conectata. (Daca exista riscul aparitiei electricitatii statice, o legatura separate de impamintare trebuie facuta la carcasa ventilatorului). Ventilatoarele pot fi folosite in medii explozive (E eq II T3 for 1-phase and Eex e II T3 for 3-phase) si la transportul gazelor, dar se recomanda sa nu se cupleze la tubulaturile de exhaustare a gazelor de ardere. Ventilatoarele tip KTEX, DKEX and DVEX trebuie echipate cu echipamente de monitorizare U-EK230E, acestea fiind etichetate "PTB03ATEX3045". Echipamentul de monitorizare este dotat cu un buton de reset manual si un led care este aprins atunci cind motorul este deconectat.

Daca ventilatorul DVEX este echipat cu un dispozitiv de basculare, nu trebuie deschis sau inclinat in prezenta unei atmosfere explosive. Trebuie fixat prin intermediul unor suruburi (M6x10). (2 suruburi din ansamblul 450). In plus, cuplajele sunt asigurate prin intermediul cite unui surub fiecare (M8x16), care de asemenea asigura ventilatorul san u se inchida accidental atunci cind este deschis. **Fig. 13**

Inchideti ventilatorul cu grija, nu trintiti capacul.

Ventilatoarele tip EX 140/180 trebuie echipate cu protectie termica pentru a preveni supraincalzirile si care sa intrerupa alimentarea in 15 secunde daca palele sunt blocate. Pentru a determina timpul pina la intrerupere este necesara o curba specifica care identifica timpii ca functie a variatiilor curentului. Pentru a determina timpul necesar pentru ca protectia termica sa actioneze, trebuie dimensionata o curba specifica ce arata timpul de declansare a protectiei termice ca o functie a curentului de preoscilarie necesar (curentului de pornire) (I_A/I_N) pt $2,9 < I_A/I_N < 8$ la o temperatura ambientala de 20°C. Timpul necesar pentru ca protectia termica sa actioneze nu trebuie sa depaseasca mai mult de 20% din curba de declansare. Pentru a limita curentul motorului la valorile din tabelul 1, rezistenta statica trebuie ajustata prin registri de reglaj.

Ventilatoarele nu trebuie montate in exterior (in afara de DVEX). Accesoriile de siguranta (ex. Grille protectie, protectii ale motorului) nu trebuie deconectate, scurtcircuitate sau demontate. Inainte de intretinere sau reparatii asigurativa ca alimentarea este intrerupta si rotorul s-a oprit.

ATENTIE Ventilatoarele pot avea colturi ascutite care pot provoca raniri. Veti grija cind deschideti capacul de serviciu, ventilatorul si motorul fixate de capac sunt relative grele.

TRANSPORT SI STOCARE

Ventilatoarele sunt impachetate la fabrica pentru a suporta conditii normale de transport. La manipulare trebuie folosite echipamente corespunzatoare pentru a evita avariile ventilatoarelor sau ranierea personalului. Nota! Nu ridicati ventilatoarele tinindu-le de cablurile de alimentare, rotor sau axul de actionare. Evitati loviturile si sourile. Stocati ventilatoarele in spatii uscate si protejate de praf sau intemperii pina in momentul montajului. Evitati perioadele prelungite de depozitare (recomandam maxim 1 an). Inainte de a instala ventilatorul, verificati daca rulmentii motorului genereaza zgomot.

INSTALAREA

Intotdeauna folositi informatiile de siguranta de mai sus inainte de instalare.

Instalarea presupune ca s-a facut o clasificare a zonelor de pericol conform SIND-FS 1983:2. Instalarea necesita clasificarea conform prescriptiilor in vigoare (Suedia aplica SRVFS 2004:7) si standardelor de clasificare (tarile europene afiliate la CENELEC aplica EN 60079-10).

Particule de rugina nu trebuie sa fie prezente in aer. Echipamentul de monitorizare trebuie etichetat "PTB03ATEX3045".

Ventilatoarele EX 140/180 nu trebuie sa aiba regulator de viteza. Atentie Nu folositi fittinguri de metal impreuna cu cutii de conexiune de plastic. Folositi fittinguri de compresiune de cauciuc sau plastic, pentru a garanta clasa IP 54 conform IEC 529. Temperatura ambientului si a aerului transportat trebuie sa fie in plaja -20°C pina la +40°C, ventilatoarele tip EX140/180 nu trebuie expuse direct la soare. Ventilatorul se monteaza conform sensului prestabilit (sageata de pe carcasa).. Montajul se face astfel incit san u se transmita vibratii la tubulatura sau structura cladirii (echipamente corespunzatoare sunt disponibile). Asigurativa ca montajul este sigur si stabil. Daca nu este explicit precizat ventilatorul se poate monta in orice pozitie. Montajul trebuie sa permita intretinerea usoara si sigura. Zgomotul poate fi evitat prin montarea amortizoarelor de sunet). Utilizarea poate fi continua in plaja de temperature precizata.

Instalarea trebuie sa fie astfel incit sa atinga clasa de etanseitate IP 20 la admisie si IP 10 la exhaustare. Componentele care influenteaza clasa de etanseitate trebuie sa fie corespunzatoare. Cablul de alimentare al ventilatorului trebuie sa fie protejat mecanic. Cablul de alimentare al Ex 180-4(440V 3-faze 60Hz) trebuie sa reziste la min. 100°C. Cablul de conectare al Ex 140/180 trebuie sa aiba un diametru de 6.5 - 12 mm si sectiune de conductie 1.5-2.5 mm². In cazul impamintarii exterioare vezi **Fig. 8** page 2. Impamintarea (b) trebuie fixata intre 2 placi de cupru (a). Cadrul de fixare este disponibil ca accesoriu FKX(2 la set). Consolele se monteaza pe motor, vezi **Fig. 7**.

FUNCTIONAREA

Intotdeauna folositi informatiile de siguranta de mai sus inainte de initializare.

La pornirea ventilatorului, verificati:

- Valorile masurate ale curentului nu le depasesc pe cele marcate pe placuta ventilatorului. Curentul nominal poate descreste atunci cind ventilatorul intimpina o rezistenta statica mai mica decit cea nominala. Datele de conectare corespund specificatiilor de pe placuta: tensiune maxima +6%, -10%, conform IEC 38. La variatiile de tensiune variatiile de intensitate trebuie sa fie proportionale. La reglarea vitezei prin variatie tensiunii; KTEX, DKEX si DVEX ventilatoarele trebuie folosite la rate de 15% pina la 100 % fata de tensiunea nominala. Nu trebuie coborit sub presiunea starica minima (vezi tabel 1). Nu se recomanda controlul ventilatoarelor prin variatia frecventei.

- Protectia termica functioneaza.

- Sensul de functionare este conform sagetii de pe carcasa

- Ventilatorul merge normal (fara sunete anormale)

- Nici o piesa in miscare atinge carcasa sau grila de protectie

- Nu sunt necesare intreruperi dese. Ventilatorul este conceput pentru functionare continua.

Intretinere si reparatii

Intotdeauna folositi informatiile de siguranta de mai sus inainte de intretinere sau reparatii. Inainte de a opri ventilatorul asigurativa nu exista atmosfera cu potential exploziv. Ventilatorul trebuie curatat atunci cind este necesar, cel putin o data pe an pentru a nu se dezechilibra si a nu distruge lagarele. Lagarele trebuie verificate sa nu provoace sunete anormale. Durata de viata a lagarelor depinde de timpul de utilizare si de temperature de utilizare dar trebuie sa depaseasca 40 000 ore. Trebuie inlocuite cind s-au uscat, contactati furnizorul. La ventilatoarele monofazate o banda autoadeziva blocheaza deschiderile pentru ventilare. Daca se arde condensatorul trebuie inlocuit de personal Systemair. Un filtru va prelungi durata de timp dintre curatari. Nu folositi curatarea cu jeturi de gaz de inalta presiune. Asigurativa ca greutatea de echilibrare nu au fost indepartate si ca rotorul nu a fost indoit. Aveti grija la zgomote neobisnuite. Asigurativa ca ca ventilatorul nu a fost blocat sau protectia motorului nu a fost stricata. **Repararea sau inlocuirea componentelor nu este permisa la echipamente ATEX.**

Table 1

Model	Placuta identificare tensiune (V)	Placuta identificare Amperaj (A)	I _{max} La reglaj (%) * ¹)	Placuta identificare Putere (kW)	Presiune statica minima (Pa)					Schema electrica Page 2
					Treapta 1	Treapta 2	Treapta 3	Treapta 4	Treapta 5	
EX 140-2	230V3~/400V3~	2,25/1,28	-	0,70						10
EX 140-2C	230V1~	3,0	-	0,69						9
EX 140-4	230V3~/400V3~	0,66/0,38	-	0,13						10
EX140-4C	230V1~	0,63	-	0,12						9
EX 180-4	230V3~/400V3~	0,74/0,43	-	0,19						10
EX 180-4C	230V1~	0,91	-	0,19						9
KTEX 50-25-4	400V3~	0,85	12	0,49	0	0	0	30	90	(Y)
KTEX 50-25-4	230V3~	1,47	12	0,49	0	0	0	30	90	(D)
KTEX 50-30-4	400V3~	1,8	6	0,9	0	40	60	90	140	(Y)
KTEX 50-30-4	230V3~	3,1	6	0,9	0	40	60	90	140	(D)
KTEX 60-30-4	230V3~/400V3~	3,8/2,2	9	1,3	0	75	115	165	225	(D)/(Y)
KTEX 60-35-4	230V3~/400V3~	6,8/3,9	17	2,1	0	70	100	150	220	(D)/(Y)
KTEX 70-40-6	230V3~/400V3~	6,4/3,7	0	1,8	0	0	0	0	0	(D)/(Y)
DKEX 225-4	400V3~	0,85	12	0,49	0	0	0	30	90	(Y)
DKEX 225-4	230V3~	1,47	12	0,49	0	0	0	30	90	(D)
DKEX 250-4	400V3~	1,8	6	0,9	0	40	70	100	145	(Y)
DKEX 250-4	230V3~	3,1	6	0,9	0	40	70	100	145	(D)
DKEX 280-4	230V3~/400V3~	3,8/2,2	9	1,3	0	70	120	200	280	(D)/(Y)
DKEX 315-4	230V3~/400V3~	6,8/3,9	17	2,1	0	100	150	200	250	(D)/(Y)
DKEX 355-6	230V3~/400V3~	6,4/3,7	0	1,8	0	0	0	0	0	(D)/(Y)
DVEX 315D4	400V3~	0,23	0	0,12						(Y)
DVEX 315D4	230V3~	0,4	0	0,12						(D)
DVEX 355D4	230V3~/400V3~	0,81/0,47	12	0,26						(D)/(Y)
DVEX 400D4	230V3~/400V3~	1,31/0,76	12	0,39						(D)/(Y)
DVEX 450D4	230/400V 3-fas	2,46/1,42	6	0,72						
DVEX 500D6	230V3~/400V3~	1,50/0,87	0	0,38						(D)/(Y)
DVEX 560D6	230V3~/400V3~	2,13/1,23	5	0,62						(D)/(Y)
DVEX 630D6	230V3~/400V3~	3,72/2,15	0	1,07						(D)/(Y)

*¹) Amperajul poate depasi valoarea nominala de pe placuta de identificare in proportia data(%) atita timp cit consumul de energie electrica nu depaseste valoarea nominala de pe placuta de identificare.

*²)

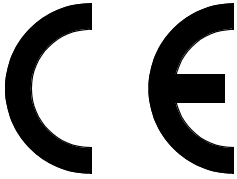
Treapta	1	2	3	4	5
Tensiune 230V3~	80	105	130	160	230
Tensiune 400V3~	90	140	180	230	400

Explicatii-Placuta de identificare, Fig. 12

- a - Comert liber UE
- b - Numar notificare PM si PSI
- c - Numar certificat
- d - Certificat conform standardelor UE
- e - Materiale antiex
- f - Clasa de protectie ~ siguranta ridicata
- g - Clasa protectie ~ aplicatii cu materiale abrazive
- h - Clasa de protectie la explozie II (de asemenea IIA, IIB si IIC)
- i - Plaja de temperaturi, suprafata ventilatorului la 200 grade poate fi acceptata la transportul gazelor cu temperature de aprinde peste 200°C
- j - Logo pentru echipamente antiex
- k - Categoria 2 ~ zona 1 ~ Materiale inflamabile prezente ocazional.
Semne aditionale includ Numar serie/ cod producator/ data fabricarii.

Gyártói nyilatkozat

Az általunk gyártott termékek a hatályos nemzetközi szabványoknak és előírásoknak megfelelnek.



Systemair AB
Industrivägen 3
SE-739 30 Skinnskatteberg
SWEDEN
Office: +46 222 440 00
Fax: +46 222 440 99

EC Megfelelőségi Nyilatkozat

az Európai Parlament ATEX 94/9EC direktívája szerint.

Csőventilátorok

Típus	Tanúsítvány	Hatóság
EX 140-2	SP03ATEX3101x	SP *
EX 140-2C	SP03ATEX3101x	SP
EX 140-4	SP03ATEX3101x	SP
EX 140-4C	SP03ATEX3101x	SP
EX 180-4	SP03ATEX3101x	SP
EX 180-4C	SP03ATEX3101x	SP
EX 140-2	SP03ATEX3101x	SP *

Légcsatorna ventilátorok

Típus	Tanúsítvány	Hatóság
KTEX 50-25-4	SP04ATEX3105x	SP *
KTEX 50-30-4	SP03ATEX3103x	SP
KTEX 60-30-4	SP04ATEX3107x	SP
KTEX 60-35-4	SP04ATEX3109X	SP
KTEX 70-40-6	SP04ATEX3111X	SP

Centrifugál ventilátorok

Típus	Tanúsítvány	Hatóság
DKEX 225-4	SP04ATEX3106x	SP *
DKEX 250-4	SP03ATEX3104x	SP
DKEX 280-4	SP04ATEX3108x	SP
DKEX 315-4	SP04ATEX3110X	SP
DKEX 355-6	SP04ATEX3112X	SP

Tetőventilátorok

Típus	Tanúsítvány	Hatóság
DVEX 315D4	SP04ATEX3113X	SP *
DVEX 315D4	SP07ATEX3129X	SP
DVEX 355D4	SP04ATEX3114X	SP
DVEX 355D4	SP07ATEX3130X	SP
DVEX 400D4	SP05ATEX3115X	SP
DVEX 400D4	SP07ATEX3131X	SP
DVEX 450D4	SP04ATEX3116X	SP
DVEX 450D4	SP07ATEX3132X	SP
DVEX 500D6	SP04ATEX3117X	SP
DVEX 500D6	SP07ATEX3133X	SP
DVEX 560D6	SP05ATEX3118X	SP
DVEX 560D6	SP07ATEX3134X	SP
DVEX 630D6	SP04ATEX3119X	SP
DVEX 630D6	SP07ATEX3135X	SP

*SP= Svéd Nemzetközi Kutató és Ellenőrző Intézet
SE-501 15 BORÅS, Sweden.

Az alábbi harmonizált szabványokat alkalmazzuk:

EN 50 014: 1997+A1 +A2
Robbanásbiztos villamos berendezések, általános követelmények.

EN 50 019: 2000

Kiemelt biztonságú (e) konstrukció

A Gyártó tanúsítja, hogy a fent felsorolt ventilátorok az alábbi Gép-, Kisfeszültségű és Elektromágneses Összeférhetőségi Direktíváknak megfelelnek:

EN 1127-1

Robbanásveszélyes terekben robbanások megelőzése, illetve védekezés.

EN 13463-1:2001

Nem elektromos berendezések potenciálisan robbanásveszélyes terekben.

EC Megfelelőségi Nyilatkozat

az Európai Parlament 98/37/EC Gépdirektívájának II B sz. melléklete szerint.

Tilos egy berendezés ventilátorát addig elindítani, amíg a berendezés minden alkatrésze ki nem elégíti a fenti direktíva előírásait.

Az alábbi harmonizált szabványokat alkalmazzuk:

EN 60 204-1

Gépek biztonsága; gépek villamos berendezései; általános előírások.

EN 60 034-1

Forgómozgást végző villamos berendezések, 1.rész;

Teljesítmény és üzemvitel

SS-EN ISO 12100-1:2003.

Gépbiztonság; Alapkövetelmények, kialakításra vonatkozó általános elvek.

EN294

Gépbiztonság; biztonsági távolság, amely megelőzi a berendezés veszélyzónájának elérését a felső végtagokkal. **Megjegyzés:** EN 294 előírás azon esetekre vonatkozik, amikor a szállítási terjedelem része a felszerelt érintésvédelmi eszköz.

EC Megfelelőségi Nyilatkozat

az Európai Parlament 89/336/EEC, 92/31/EEC és 93/68/EEC számú Elektromágneses Összeférhetőségi Direktívája szerint.

Az alábbi harmonizált szabványokat alkalmazzuk:

EN 61000-6-3: Elektromágneses kompatibilitás – Általános védettség-Kibocsátás – 1.rész: Háztartásokban, irodákban, üzletekben és hasonló területeken lévő berendezésekre vonatkozó általános követelmények.

EN 61000-6-2 Elektromágneses kompatibilitás (EMC) – 6.2. rész: Általános előírások – Zavarszűrés ipari környezetben használatos berendezéseknél.

A teljes műszaki dokumentáció elérhető.

Skinnskatteberg, 08 Aug 2003



Mats Sándor
Technical Manager

Biztonsági előírások

A telepítést, villamos bekötést és üzembe helyezést kizárólag szakképzett szerelő végezheti a mindenkori hatályos jogszabályok és előírások betartása mellett. Az EN 60079-14 szerinti telepítésnek összhangban kell lennie a nagyfeszültségű berendezésekre vonatkozó direktívákkal. A ventilátort úgy kell telepíteni és védelemmel ellátni, hogy a forgó járókerék és a lapátok semmilyen szikrakeltő idegen testtel ne érintkezzenek.

Rozsdás részecskéket nem tartalmazhat a szállított légnemű közeg. Továbbá a szállított közeg nem szabad, hogy korróziót okozzon az alumíniumból vagy horganyzott acélból készült ventilátorházon, járókeréken, és tengelyen. Ha a ventilátort nem építik be légcsontra rendszerbe, akkor a szívó és nyomó oldalakon megfelelő érintésvédelmi védőrácsot kell felszerelni. Semmilyen mozgó alkatrészt ne lehessen megérinteni a telepítést követően (EN 294). A villamos bekötést a kapcsolódobozban található bekötési rajznak megfelelően, a sorkapocs számok és kábel sorszámok figyelembevételével kell elvégezni. A védőföldelést (PE) minden esetben csatlakoztatni kell. (Ha statikus elektromosság veszélye áll fenn, akkor egy kiegészítő földelést kell csatlakoztatni a ventilátorházhoz.) Az egyfázisú robbanásbiztos ventilátorokat EE eq II T3, a háromfázisúakat Eex e II T3 besorolású robbanásveszélyes környezetben, ill. közeg szállítására szabad alkalmazni. Tilos a ventilátort égéstermék és folyékony gázok szállítására használni. A KTEX, DKEX és DVEX típusú ventilátorokat U-EK230E külső termisztoros (PTC) motorvédő kapcsolón keresztül kell bekötni. A kapcsolónak PTB03ATEX3045 minősítéssel kell rendelkeznie, amelyet a kapcsolón fel kell tüntetni. A motorvédő egy kézi visszaállító (Reset) gombbal, és egy jelző lámpával van ellátva, amely a motor tekercsének túlmelegedése, ill. a védelem működésbe lépése esetén világít. A motorvédő kapcsolót a robbanásveszélyes zónán kívül kell elhelyezni. A DVEX tetőventilátoroknál mindaddig tilos a ventilátorházat felnyitni, vagy a ventilátort felemelni a lábazatról, amíg a robbanásveszélyes közeg jelen van. A véletlenszerű leemelést megelőzése érdekében M6x10 –es csavarokkal le kell rögzíteni a ventilátorházat. (A 450-es méretű 2db csavar). Felnyitható (zsanéros) ház esetén, a felnyitott házat a gyári M8x16-os csavarokkal rögzíteni kell a véletlenszerű becsukódás ellen (lásd a 13. ábrát).

Óvatosan, körültekintően kell a ventilátorházat visszacsukni. Tilos elengedve "visszacsapni"!

Az EX 140/180-as ventilátor olyan motorvédő kapcsolóval kell bekötni, amely megvédi a motort az esetleges túláramtól és 15 másodpercen belül leállítja a ventilátort, ha megszorulna a járókerék. A motorvédő kioldási idejének meghatározásához szükség van a motorvédő "kioldási jelleggörbéjére", amely megmutatja a kioldási időt a motor indítási áramának (IA/IN) viszonylatában. 20°C-os külső hőmérsékletnél $2,9 < IA/IN < 8$. A motorvédő kioldási ideje max. 20%-al térhet el a kioldási jelleggörbétől. Az 1. táblázatban található maximális áramfelvételek betartása érdekében a légtechnikai rendszert úgy kell szabályozni, hogy a táblázatban szereplő minimális statikus ellennyomás biztosítva legyen. Tilos a ventilátorokat kültéren telepíteni (kivéve a DVEX tetőventilátorokat). Tilos a biztonsági eszközöket (pl. motorvédelem, védőrács, stb.) leszerelni, kiiktatni vagy kikötni. A szerelési, karbantartási vagy javítási munkák megkezdése előtt győződjön meg, hogy a ventilátor feszültségmentes állapotban van (összes fázis megszakítva), és a járókerék teljesen megállt.

FIGYELEM! A ventilátor háza éles, hegyes szélekkel, sarkokkal rendelkezhet, amely sérülést okozhat. Óvatosan nyissa/csukja a kihajtható házas ventilátorokat, mert a kezelőajtóra szerelt motor és járókerék nehéz lehet.

Szállítás, tárolás

Minden ventilátor a normál szállításnak megfelelő csomagolással van ellátva. A ventilátor mozgásakor, emeléskor használjon megfelelő eszközt a ventilátor, és a személyi sérülések megelőzése érdekében. FIGYELEM! Tilos a ventilátort a villamos kábelben, a bekötődobozon, a járókeréken, vagy a beszívókúpon keresztül emelni. Védje meg a ventilátort a hirtelen ütések, fizikai behatásoktól. A telepítésig tárolja a ventilátort száraz,

fedett helyen, védve az időjárástól és portól. Ha a KTEX, DKEX és DVEX ventilátorokat hosszabb ideig nem használják, akkor ellenőrizni kell a motor tekercsének szigetelését: a tekercs ellenállás $\geq 1,5 \text{ M}\Omega$. kell legyen. El kell kerülni a túlságosan hosszú tárolást (max. 1évet javaslunk). Hosszú tárolás után ellenőrizni kell a motor csapágyinak épségét, könnyű, zajmentes járását.

Telepítés

A telepítés megkezdése előtt figyelmesen olvassa át a jelen útmutató Biztonsági előírások fejezetét!

A telepítési útmutató feltételezi, hogy a veszélyes zónák besorolása a SIND-FS 1983:2 előírásnak megfelelően történt. A telepítés megköveteli, hogy a robbanásveszélyes környezet besorolása a mindenkori hatályos előírásoknak és besorolási jogszabályoknak megfelelően történjen. Azon európai országok, amelyek a GENELEC-hez kapcsolódnak jelenleg az EN 60079-10 előírást követik.

Rozsdás részecskéket nem tartalmazhat a szállított légnemű közeg. A kapcsolónak PTB03ATEX3045 minősítéssel kell rendelkeznie, amelyet a kapcsolón fel kell tüntetni. Az EX 140/180 ventilátorok nem fordulatszám szabályozhatók! FIGYELEM! Tilos fém kábelátvezető tömszelencét használni a műanyag bekötődoboznál! Használjon az IP54-es védettségű osztálynak megfelelő tömitést a tömszelencéhez az IEC 529 szabvány betartása mellett. A környezeti és a szállított közeg hőmérséklete -20°C ... +40°C között kell legyen. Tilos az EX140/180 ventilátort közvetlen napsugárzásnak kitenni! A ventilátor oldalán feltüntetett áramlási iránynak megfelelően építse be a ventilátort. Telepítésnél rezgéstompítók alkalmazásával ügyelni kell arra, hogy a ventilátor ne vigyen át rezgést a légcsontra rendszerre, illetve az épületszerkezetre. Győződjön meg, hogy a ventilátort stabilan, szilárdan rögzítették. Tetszőleges helyzetben beépíthető a ventilátor, kivéve, ha egyedi előírás másképpen nem rendelkezik. Beépítésnél biztosítani kell a szervizeléshez és karbantartáshoz szükséges hozzáférési lehetőséget. A légcsontrában terjedő zajokat antisztatikus hangscillapítók beépítésével lehet csökkenteni. A ventilátort folyamatos üzemre, a fent említett hőfoktartományra tervezték.

A ventilátor villamos bekötőkábelét a mindenkori hatályos jogszabályoknak és előírásoknak megfelelően kell kiépíteni. A kábel mechanikai védelmét biztosítani kell. Az Ex 180-4 (440V 3-fázis 60Hz) ventilátor villamos csatlakozó kábelének min. 100°C hőállósági osztályúnak kell lenni, mert a motorház felületi hőmérséklete üzem közben elérheti a +100°C-ot. Az Ex 140/180 ventilátorok bekötő kábelének átmérője 6.5 - 12 mm, keresztmetszete 1.5-2.5 mm² kell legyen. Az EX ventilátorokat fix villamos bekötéssel kell szerelni. A ventilátorház külső földelése esetén a **8. ábrának** megfelelően kell a szerelést elvégezni: a földelő vezeték (b) a két szorító lemez közé kell befűzni és rögzíteni. Az FXK tartólabák (2db/ventilátor) opcionális kiegészítőként rendelhetők. A lábak csavarokkal rögzíthetők a motortesten található töányák segítségével (lásd **7. ábrát.**)

Üzemeltetés

A telepítés megkezdése előtt figyelmesen olvassa át a jelen útmutató *Biztonsági előírások* fejezetét!

Üzembe helyezéskor ellenőrizze az alábbiakat:

- a mért villamos értékek nem haladhatják meg a ventilátor adattábláján megadott névleges értékeket: max. feszültség +6%, -10% az IEC 38 szerint. Az áramfelvétel nem haladhatja meg a névleges értéket a névleges feszültség mellett. A névleges áramerősséget csökkenteni kell, ha a ventilátor depressziós környezetbe telepítik. A KTEX, DKEX és DVEX ventilátorok feszültségcsökkentéssel történő fordulatszám szabályozásánál a feszültség szintje a névleges feszültség 15-100% között kell legyen. Biztosítani kell az **1. táblázatban** megadott minimális statikus nyomásokat. FIGYELEM! Tilos a ventilátorokat frekvenciaváltóról szabályozni!
- ellenőrizze a motorvédelem meglétét és helyes bekötését,
- ellenőrizze a járókerék forgásirányát (ventilátoron nyíllal jelölve),
- egyenletesen ját a ventilátor? Nincs-e szokatlan zaj?

- nem érintkeznek-e a mozgó alkatrészek a ventilátorházzal vagy a védőrácscsal?
- nincs-e külső ki/be kapcsoló szabályozó telepítve? A ventilátort folyamatos üzemre tervezték!

Karbantartás, szerviz és javítás

A munkálatok megkezdése előtt figyelmesen olvassa át a jelen útmutató *Biztonsági előírások* fejezetét! A ventilátor kikapcsolása előtt meg kell győződni arról, hogy nem maradt robbanásveszélyes közeg a rendszerben, és a környezetben. A ventilátort szükség esetén, de évente legalább 1 alkalommal meg kell tisztítani a lerakódott szennyeződésektől, azért, hogy a kiegyensúlyozatlanságot és a csapágyak tönkremenetelét megelőzzük. Ellenőrizze a csapágyakat, ha szokatlan zajt hall. A csapágyak élettartama az üzemelési órák számától és a hőmérséklettől függ, de normál körülmények között kb. 40.000

üzemórát képesek futni. Légszűrő alkalmazásával meghosszabbítható a ventilátor tisztítások közötti időtartam. Tilos nagy nyomású levegővel tisztítani a ventilátort! Tisztítás során ügyelni kell arra, hogy a járókerék ne sérüljön és a gyári kiegyensúlyozás ne változzon meg! Ellenőrizze, hogy a járókerék nyugodt járását: nincs-e szokatlan zaj, nem verődik neki semminek, nem szorul-e? Ellenőrizze a motorvédelem működését. Szükség esetén nyomja meg a Reset kézi visszaállító gombot.

Kültéri telepítés esetén, ha a ventilátor hosszabb ideig nedves, páras környezetben van, akkor legalább két óra hosszat hetente jártni kell ventilátort, azért, hogy a kondenzációból származó nedvességet eltávolítsuk.

FIGYELEM! Az ATEX minősített robbanásbiztos ventilátoroknál tilos az alkatrészek javítása és cseréje!

1. táblázat

Model	Névleges feszültség (V)	Névleges áramfelv. (A)	I _{max} Fordulatszám szab.-nál (%) *1)	Névleges teljesítm. (kW)	Min. statikus ellennyomás (Pa)					Villamos beköt. ábra lásd 2. oldalon
					Fok. 1*2	Fok. 2	Fok. 3	Fok. 4	Fok. 5	
EX 140-2	230V3~/400V3~	2,25/1,28	-	0,70						10
EX 140-2C	230V1~	3,0	-	0,69						9
EX 140-4	230V3~/400V3~	0,66/0,38	-	0,13						10
EX140-4C	230V1~	0,63	-	0,12						9
EX 180-4	230V3~/400V3~	0,74/0,43	-	0,19						10
EX 180-4C	230V1~	0,91	-	0,19						9
KTEX 50-25-4	400V3~	0,85	12	0,49	0	0	0	30	90	(Y)
KTEX 50-25-4	230V3~	1,47	12	0,49	0	0	0	30	90	(D)
KTEX 50-30-4	400V3~	1,8	6	0,9	0	40	60	90	140	(Y)
KTEX 50-30-4	230V3~	3,1	6	0,9	0	40	60	90	140	(D)
KTEX 60-30-4	230V3~/400V3~	3,8/2,2	9	1,3	0	75	115	165	225	(D)/(Y)
KTEX 60-35-4	230V3~/400V3~	6,8/3,9	17	2,1	0	70	100	150	220	(D)/(Y)
KTEX 70-40-6	230V3~/400V3~	6,4/3,7	0	1,8	0	0	0	0	0	(D)/(Y)
DKEX 225-4	400V3~	0,85	12	0,49	0	0	0	30	90	(Y)
DKEX 225-4	230V3~	1,47	12	0,49	0	0	0	30	90	(D)
DKEX 250-4	400V3~	1,8	6	0,9	0	40	70	100	145	(Y)
DKEX 250-4	230V3~	3,1	6	0,9	0	40	70	100	145	(D)
DKEX 280-4	230V3~/400V3~	3,8/2,2	9	1,3	0	70	120	200	280	(D)/(Y)
DKEX 315-4	230V3~/400V3~	6,8/3,9	17	2,1	0	100	150	200	250	(D)/(Y)
DKEX 355-6	230V3~/400V3~	6,4/3,7	0	1,8	0	0	0	0	0	(D)/(Y)
DVEX 315D4	400V3~	0,23	0	0,12						(Y)
DVEX 315D4	230V3~	0,4	0	0,12						(D)
DVEX 355D4	230V3~/400V3~	0,81/0,47	12	0,26						(D)/(Y)
DVEX 400D4	230V3~/400V3~	1,31/0,76	12	0,39						(D)/(Y)
DVEX 450D4	230/400V 3-fas	2,46/1,42	6	0,72						
DVEX 500D6	230V3~/400V3~	1,50/0,87	0	0,38						(D)/(Y)
DVEX 560D6	230V3~/400V3~	2,13/1,23	5	0,62						(D)/(Y)
DVEX 630D6	230V3~/400V3~	3,72/2,15	0	1,07						(D)/(Y)

*1) Az áramfelvétel a fenti %-ban meghaladhatja az adattáblán szereplő névleges értéket, akkor ha az össz teljesítményfelvétel nem nagyobb, mint az adattáblán megadott névleges teljesítmény. .

*2) Fordulatszám fokozat	1	2	3	4	5
Feszültség 230V3~	80	105	130	160	230
Feszültség 400V3~	90	140	180	230	400

Jelmagyarázat az adattáblához (lásd a 12. ábrát)

- a - EU-n belüli szabad termékforgalom
- b - engedélyező hatóság azonosítója
- c - tanúsítvány azonosítója
- d - európai uniós szabvány szerint minősítve
- e - robbanásbiztos készülék
- f - védelmi osztály: "e" - fokozott biztonságú
- g - tokozat: "q"-kvarchomok töltésű tokozatban
- h - alkalmazási csoport: "II"- mélyművelésű bányák kivételével alkalmazható (IIA, IIB és IIC is) "IIA" – pl. propán, "IIB" – pl. etilén, "IIC" – pl. acetilén és hidrogén
Megj.: "IIC" a legrobbanásveszélyesebb

- i - hőmérsékleti osztály: "T3" - a ventilátor max. felületi hőmérséklete 200°C (a szállított közeg gyulladási hőmérséklete > 200°C kell legyen)
- j - a robbanásbiztos kivétel jelképe: Ex
- k - a terület veszélyességi besorolása: "2" – kategória 2 = zóna 1 (amely magában foglalja a zóna 2 is) = robbanást okozó anyag csak meghibásodás esetén van jelen nagyobb mennyiségben
A robbanásveszélyes közeg halmazállapota: "G" - gáz
Egyéb feliratok: cikkszám, gyári szám, dátum

Ražotājs

Mūsu produkcija ir ražota saskaņā ar spēkā esošiem starptautiskajiem standartiem un norādījumiem.



Systemair AB
Industriavägen 3
739 30 Skinnskatteberg
Tel: 0222-440 00
Fax: 0222-440 99

EK Atbilstības Deklarācija

Atbilst sekojošām EK ATEX direktīvām 94/9/EC.

Apājie kanāla ventilatori

Tips	Sertifikāta Nr.	Instance
EX 140-2	SP03ATEX3101x	SP *
EX 140-2C	SP03ATEX3101x	SP
EX 140-4	SP03ATEX3101x	SP
EX 140-4C	SP03ATEX3101x	SP
EX 180-4	SP03ATEX3101x	SP
EX 180-4C	SP03ATEX3101x	SP

Kantainā kanāla ventilatori

Tips	Sertifikāta Nr.	Instance
KTEX 50-25-4	SP04ATEX3105x	SP *
KTEX 50-30-4	SP03ATEX3103x	SP
KTEX 60-30-4	SP04ATEX3107x	SP
KTEX 60-35-4	SP04ATEX3109x	SP
KTEX 70-40-6	SP04ATEX3111x	SP

Radiālie ventilatori

Tips	Sertifikāta Nr.	Instance
DKEX 225-4	SP04ATEX3106x	SP *
DKEX 250-4	SP03ATEX3104x	SP
DKEX 280-4	SP04ATEX3108x	SP
DKEX 315-4	SP04ATEX3110x	SP
DKEX 355-6	SP04ATEX3112x	SP

Jumta ventilatori

Tips	Sertifikāta Nr.	Instance
DVEX 315D4	SP04ATEX3113x	SP *
DVEX 315D4	SP07ATEX3129x	SP
DVEX 355D4	SP04ATEX3114x	SP
DVEX 355D4	SP07ATEX3130x	SP
DVEX 400D4	SP05ATEX3115x	SP
DVEX 400D4	SP07ATEX3131x	SP
DVEX 450D4	SP04ATEX3116x	SP
DVEX 450D4	SP07ATEX3132x	SP
DVEX 500D6	SP04ATEX3117x	SP
DVEX 500D6	SP07ATEX3133x	SP
DVEX 560D6	SP05ATEX3118x	SP
DVEX 560D6	SP07ATEX3134x	SP
DVEX 630D6	SP04ATEX3119x	SP
DVEX 630D6	SP07ATEX3135x	SP

*SP = Zviedrijas nacionālais testa un pētniecības institūts.
SE-501 15 BORÅS, Zviedrija.

Tiek izmantoti sekojoši saskaņotie standarti:

EN 50 014: 1997 +A1 +A2
Sprādzien droši elektriskie materiāli, galvenās prasības.

EN 50 019: 2000
Konstrukcija ar paaugstinātu sprādzien drošību 'e'.

Ražotājs apliecina, ka augstāk minētā produkcija ir saskaņota ar Mehānismu direktorijas prasībām, Zemas voltāžas direktoriju un EMC direktoriju, kā minēts zemāk.

EN 1127-1
Sprādzienbīstama apkārtnē – novēršana un aizsardzība pret sprādzieniem.
EN 13463-1:2001
Ne-elektriskais aprīkojums potenciāli sprādzienbīstamai apkārtnē.

EK Atbilstības deklarācija

Atbilst EK Mehānismu direktīvai 98/37/EC, pielikums II B.

Ventilatorus nedrīkst lietot pirms daļas, kas ir tajā iebūvētas, neatbilst EK Mehānismu direktīvām.

Tiek izmantoti sekojoši saskaņotie standarti:

EN 60 204-1
Mehānismu drošība; mehānismu elektriskais aprīkojums, galvenās prasības.
EN 60 034-1 Rotējošie elektriskie mehānismi
1.sadaļa: Elektriskā klasifikācija un jaudas patēriņš
SS-EN ISO 12100-1:2003.
Mehānismu drošība. Pamatkonceptija, konstrukcijas galvenie principi.
EN 294
Mehānismu drošība; Drošības distances, lai novērstu augšējo zonu bīstamo robežu.
IEVĒROT: Atbilstība EN 294 attiecas tikai uzmontētām drošības ierīcēm tādā stāvoklī kādas tās ir piegādātas. Sistēmas ražotājs atbildīgs par iekārtu atbilstību EN 294

EK atbilstības deklarācija

Atbilst EK EMC-direktīvām 89/336/EC, 92/31/EC un 93/68/EC

Tiek izmantoti sekojoši saskaņotie standarti:

EN 61000-6-3 Elektromagnētiska savietojamība – Vispārējā neaizsargātība – Izmeši – Sadaļa 1: Galvenie norādījumi iekārtām mājās, ofisos, veikalos un līdzīgās vidēs.

EN 61000-6-2 Elektromagnētiskā savietojamība (EMC) – Sadaļa 6.2: Galvenie norādījumi – ierīču imunitāte industriālajām vidēm.

Ir pieejama pilna tehniskā informācija.
Skinnskatteberga, 08 Aug 2003



Mats Sándor
Tehniskais menedžeris

Drošības informācija

Montāža, elektrodarbi un nodošana ekspluatācijā jāveic sertificētiem darbiniekiem un saskaņā ar augstsprieguma strāvas prasībām un norādījumiem. Montāža jāveic saskaņā ar EN 60079-14, kas atsaucas uz augstas voltāžas iekārtu prasībām. Ventilatoru jāmontē tā, lai tiktu aizsargāti pret dzirkstelēm, ko izraisa citi priekšmeti, kas saskaras ar ventilatora lāpstiņām. Gaisa plūsmā nedrīkst būt rūsas putekļi. Transportējamais gaiss nedrīkst korodēt ventilatora karkasu, lāpstiņas vai asi (alumīnija un tērauda). Ja ventilators nav uzmontēts gaisa vadu sistēmā, ventilatoram jāmontē aizsardzības restē. Pēc montāžas ventilatoram nedrīkst skarties kustīgas daļas (EN 294). Elektropievienumi jāveic saskaņā ar pieslēguma diagrammu, kas atrodas sadales skapī, apzīmējumiem sadales blokā vai uz kabeļa. Vienmēr jābūt pievienotam aizsardzības saņemjumam (PE). Ja pastāv statiskās elektrības risks, ventilatora korpusam jābūt pievienotam papildus zemējumam. Ventilatorus var lietot sprādzienbīstamās telpās (1- fāzei EE eq II T3 un Eex e II T3 - 3-fāzēm) un gāzu transportēšanai, bet nedrīkst pievienot pie dūmgāzu gaisa vadiem. Ventilatoru tipus KTEX, DKEX un DVEX jāmontē ar kontroles aprīkojumu U-EK230E, kontroles aprīkojumam jābūt ar "PTB03ATEX3045" marķējumu. Kontroles aprīkojums ir aprīkots ar manuālo pārstatīšanu - signalizē gaismas indikators, kas iedegas, kad motors ir izslēdzies, aprīkojumam jābūt ārpus bīstamās zonas. Ja DVEX ventilatori ir aprīkoti ar atvāzamo ierīci, to nedrīkst atvērt sprādziedrošā apkārtņē. Lai novērstu ventilatora nejausu apgāšanos, to jāpiestiprina ar skrūvēm (M6x10). (2 skrūves no 450 iekārtā). Tam papildus salocītie kronšteini, kas piestiprināti ar 1 skrūvi (M8x16) katra, kas arī var tikt lietota kā ventilatora stiprinājums, kad tas ir atvērts un tādējādi varētu nejausi izgāzties, Att. 13.

Aizvērt ventilatoru ar ķīli, nenomest to zemē.

Ventilatora tipi EX 140/180 jāapriko ar motora aizsardzības slēdzi, ko jāvar ieregulēt tā, lai tas aizsargā motoru no pārslodzes un atslēdzas 15 sekundēs, ja lāpstiņas ir nosprostotas. Lai nodrošinātu atslēgšanas laiku motora aizsardzībai, ir jābūt atslēgšanas līknei, kas parāda motora aizsardzības laiku kā funkciju no strāvas svārstībām (palaišanas strāvas statuss) (IA/IN) $2,9 < IA/IN < 8$ ar apkārtējo temperatūru 20°C. Motora aizsardzības atslēgšanās laiks nedrīkst svārstīties vairāk kā 20% no atslēgšanas līknes. Lai ierobežotu ventilatora motora strāvu uz vērtību, kas uzrādīts Tabulā 1, statiskajam spiedienam ir jābūt ieregulētam iekļēlot ventilatoru. Ventilatoru nedrīkst montēt ēkas ārpusē, (izņēmums ir DVEX). Drošības papildpiederumus (motora aizsardzība, drošības restē) nedrīkst nomontēt, atvienoti vai savienoti pa īsāku ceļu. Pirms apkalpošanas, servisa un labošanas, pārliecināties, ka barošanas spriegums nav traucēts (visu polu kontūras nav pārtrauktas) un ka lāpstiņas ir pilnīgi apstādinātas. **BRĪDINĀJUMS:** Ventilatoriem var būt asi stūri un malas, kas var būt par iemeslu traumām. Būt uzmanīgiem, atverot ventilatora apkalpošanas lūkas (izņemamas), ventilatora un motora savienojuma apkalpošanai var būt relatīvi smags.

Transportēšana un uzglabāšana

Ventilatori tiek iepakoti tā, lai tiktu ievērotas pieņemtās normas par ventilatoru transportēšanu. Ventilatorus pārvietojot lietojiet atbilstošas kraušanas ierīces un aprīkojumu, lai netiktu savainots personāls vai bojāts ventilators. **Uzmanību!** Neveiciet ventilatora pacelšanu aiz tā pievienojuma kabeļa, pievienojuma kārbas, turbīnas vai ieejas konusa. Nepieļaujiet triecienu vai triecienuveida slodzi. Uzglabājot ventilatorus sausā vietā aizsargājiet tos no atmosfēras iedarbības un netīrumiem līdz to galējai uzstādīšanai. Izvairīties no pārāk ilgas ventilatora uzglabāšanas noliktavā (ieteicams vienu gadu maksimāli). Pirms ventilatora uzstādīšanas, pārbaudīt vai motora gultņi neizdala papildus trokšņus.

Montāža

Vienmēr pirms uzstādīšanas iepazīstieties ar augstāk minēto informāciju par drošību.

Prasības veicot uzstādīšanu paredz, ka bīstamo zonu klasifikācija atbilst SIND-FS 1983:2. Klasifikācija saskaņā ar SS 421 08 20 saistāma ar augstāk minētajiem standartiem. Rūsas daļiņas

nedrīkst nonākt gaisa plūsmā. Aizsardzības ierīcēm jābūt ar marķējumu "PTB03ATEX3045". Ventilatoriem EX 140/180 nav regulējami apgriezieni. **Uzmanību!** Neizmantojot kniedētus metāla savienojumus plastmasas spaiļu kārbām. Izmantojiet štancētos blīvveļošos ieliktnus priekš presētajiem savienojumiem, lai nodrošinātu izolācijas klasi IP 54 saskaņā ar standartu IEC 529. Apkārtējā un transportējamā gaisa temperatūrai jābūt robežās no - 20C līdz +40C, ventilatorus EX140/180 nedrīkst uzstādīt vietās, kur ir tiešu saules staru iedarbība. Ventilatoram jābūt uzstādītam saskaņā ar gaisa plūsmas virzienu (skatīt norādi uz ventilatora korpusa). Ventilatorus jāuzstāda tā, lai vibrācija nepārmētos uz gaisa vadiem un būves konstrukcijām. (Ir pieejami vibrāciju izolējoši piederumi). Pārliecinieties vai ventilators ir kārtīgi nostiprināts. Ventilatoru var uzstādīt jebkurā pozīcijā, ja nav speciālu norāžu. Ventilators jāuzstāda tā, lai viegli un droši varētu veikt tā apkopi. Troksnis var tikt novērsts izmantojot klusinātājus (klusinātāji tiek piegādāti atsevišķi). Ventilatori paredzēti ilgstošai ekspluatācijai norādītajos temperatūras diapazonos.

Gaisa vadu montāža jāveic tā, lai gaisa ieņemšanas pusē izolācija atbilstu klasei IP 20 (savienojuma platums mazāks kā 12mm) un gaisa izmešanas pusē atbilstu klasei IP 10 (savienojuma platums mazāks kā 50mm). Daļām, kuras veido aizsardzības izolāciju atbilstoši klasei IP jābūt atbilstoša materiāla un atbilstošas konstrukcijas. Ventilatora kabeļa gali jāaizsargā pret mehāniskiem bojājumiem un attiecīgi jāsavieno atbilstoši apkārtējai videi. Kabeļiem ventilatoriem Ex 180-4(440V 3-fāzes 60Hz) jābūt ir min. 100. C. Pievienojuma kabeļiem priekš Ex 140/180 jābūt ar diametru 6.5-12 mm un vadu šķēsgriezumam 1.5-2.5 mm. Galvenajam pievadam priekš EX- ventilatoriem jābūt fiksētam. Ja ir ventilatora korpusa ārējā saņemuma ierīce, skatīt Zīm. 8 Lpp. 2. Saņemuma vads (b) jānostiprina starp 2 plāksnītēm (a). Montāžas konsoles FKX (komplektā 2 gab.) ir pieejamas kā papildus piederumi. Konsoles piestiprinās pie ventilatora kā parādīts Zīm. 7.

Darbība

Pirms ekspluatācijas noteikti iepazīstieties ar nodaļu "Drošības tehnika". Pirms ventilatora palaišanas pārbaudiet vai:

- Mērījumu parametri nepārsniedz lielumus, kas uzrādīti uz ventilatora plāksnītes. Strāvas stiprums var pazemināties pie attiecīgas gaisa spiediena pretestības uz ventilatoru. Elektriskie parametri atbilst norādītajiem uz ventilatora plāksnītes: Maksimālais spriegums +6%, -10%, saskaņā ar IEC 38.
- Nominālā strāva nedrīkst būt pārsniegta pie nominālā sprieguma. Kad regulē apgriezienus ventilatoriem; KTEX, DKEX un DVEX, samazinot spriegumu, ventilatoriem jāstrādā ar spriegumu no 15% līdz 100% no nominālā sprieguma.
- Minimālais statiskais spiediens nedrīkst būt pārsniegts (Skatīt tabulu 1). Ventilatorus nedrīkst regulēt izmantojot frekvenču pārveidotājus.
- Strādā motora aizsardzības ierīce.
- Ventilatora lāpstiņu griešanās virziens sakrīt ar norādi uz korpusa.
- Motors strādā vienmērīgi (bez papildus trokšņa).
- Kustīgās ventilatora daļas neskaras pie korpusa vai aizsargrestes. Nav pieslēgts ārējs on/off slēdzis. Ventilators ir paredzēts ilgstošai, nepārtrauktai darbībai.

Ekspluatācija, serviss un remonts

Pirms apkalpošanas, servisa vai remonta noteikti iepazīstieties ar nodaļu "Drošības tehnika". Pirms ventilatora izslēgšanas, pārliecināties vai atmosfēra nav sprādzienbīstama. Ventilatoru jātīra, kad nepieciešams, bet ne retāk kā vienreiz gadā, lai izvairītos no ventilatoru lāpstiņu disbalansa un lieka gultņu nodiluma. Jāpievērš uzmanību gultņu radītajai skaņai. Gultņu resurss ir atkarīgs no to darbības laika un temperatūras, bet sastāda ne mazāk kā 40 000 stundas. Mainot gultņus, kad smērē ir izžuvusi, griezieties pie ventilatora piegādātāja. Uz vienfāzu ventilatoriem ir līmlentas gabaliņi, kuri aizsedz ventilācijas atvērumus. Ja sabojājas kondensators tā nomainītu jāveic piegādātāja personālam. Filtra uzstādīšana palielinās intervālu starp ventilatora tīrīšanas reizēm. Ventilatora tīrīšanai neizmantojiet augsta spiediena iekārtu (tvaika sprauslas). Pārliecinieties vai ventilatora spārniņi nav bojāti un to balansēšanas atsvariņi nav izkustināti. Pievērsiet uzmanību motora darbības skaņai. Pārliecinieties vai ventilators nav bloķēts un tā motora aizsardzība nav

ostrādājusi. Ārā uzstādāmie ventilatori: Ja ventilators ilgāku laika periodu atrodas mitrā vidē, tas ir jāieslēdz kā minimums uz divām stundām katru nedēļu, lai izvadītu

radušos mitrumu un kondensātu. **Nav atļauts labot vai nomainīt produktu komponentus, kas neatbilst ATEX standartam.**

Tabula 1

Modelis	Uz plāksnes voltāža	Uz plāksnes strāva	I_{max} Kad ieregulēts (%) * ¹)	Uz plāksnes jaua	Min. statistiskais pretspiediens(Pa)					El.piesl. shēma
	(V)	(A)		(kW)	Solis 1 * ²	Solis 2	Solis 3	Solis 4	Solis 5	Lpp. 2
EX 140-2	230V3~/400V3~	2,25/1,28	-	0,70						10
EX 140-2C	230V1~	3,0	-	0,69						9
EX 140-4	230V3~/400V3~	0,66/0,38	-	0,13						10
EX140-4C	230V1~	0,63	-	0,12						9
EX 180-4	230V3~/400V3~	0,74/0,43	-	0,19						10
EX 180-4C	230V1~	0,91	-	0,19						9
KTEX 50-25-4	400V3~	0,85	12	0,49	0	0	0	30	90	(Y)
KTEX 50-25-4	230V3~	1,47	12	0,49	0	0	0	30	90	(D)
KTEX 50-30-4	400V3~	1,8	6	0,9	0	40	60	90	140	(Y)
KTEX 50-30-4	230V3~	3,1	6	0,9	0	40	60	90	140	(D)
KTEX 60-30-4	230V3~/400V3~	3,8/2,2	9	1,3	0	75	115	165	225	(D)/(Y)
KTEX 60-35-4	230V3~/400V3~	6,8/3,9	17	2,1	0	70	100	150	220	(D)/(Y)
KTEX 70-40-6	230V3~/400V3~	6,4/3,7	0	1,8	0	0	0	0	0	(D)/(Y)
DKEX 225-4	400V3~	0,85	12	0,49	0	0	0	30	90	(Y)
DKEX 225-4	230V3~	1,47	12	0,49	0	0	0	30	90	(D)
DKEX 250-4	400V3~	1,8	6	0,9	0	40	70	100	145	(Y)
DKEX 250-4	230V3~	3,1	6	0,9	0	40	70	100	145	(D)
DKEX 280-4	230V3~/400V3~	3,8/2,2	9	1,3	0	70	120	200	280	(D)/(Y)
DKEX 315-4	230V3~/400V3~	6,8/3,9	17	2,1	0	100	150	200	250	(D)/(Y)
DKEX 355-6	230V3~/400V3~	6,4/3,7	0	1,8	0	0	0	0	0	(D)/(Y)
DVEX 315D4	400V3~	0,23	0	0,12						(Y)
DVEX 315D4	230V3~	0,4	0	0,12						(D)
DVEX 355D4	230V3~/400V3~	0,81/0,47	12	0,26						(D)/(Y)
DVEX 400D4	230V3~/400V3~	1,31/0,76	12	0,39						(D)/(Y)
DVEX 450D4	230/400V 3-fas	2,46/1,42	6	0,72						(D)/(Y)
DVEX 500D6	230V3~/400V3~	1,50/0,87	0	0,38						(D)/(Y)
DVEX 560D6	230V3~/400V3~	2,13/1,23	5	0,62						(D)/(Y)
DVEX 630D6	230V3~/400V3~	3,72/2,15	0	1,07						(D)/(Y)

*¹) Strāvas stiprums var pārsniegt uz plāksnītes uzrādīto par koeficientu (%), tomēr kopējā patērētā jauda nepārsniedz uz plāksnītes uzrādīto vērtību.

* ²) Solis	1	2	3	4	5
Voltāža 230V3~	80	105	130	160	230
Voltāža 400V3~	90	140	180	230	400Plāksnītes atšifrējums, Att. 12

- A - EU brīvā tirdzniecība
- b - SP reģistrētais korpasa numurs
- c - Sertifikāta numurs
- d - Sertificēts saskaņā ar Eiropas standartiem
- e - Sprādziendrošais materiāls
- f - Aizsardzības klase ~ augstākā drošība
- g - Aizsardzības klase ~ elektropiederumi ar smiltīm
- h - Sprādziena grupa II (arī IIA, IIB un IIC)
- i - Temperatūras klase, maksimālā ventilatora virsmas temperatūra 200C var tikt lietots gāzu maisījumiem ar uzliesmošanas temperatūru, kas pārsniedz 200°C
- j - Sprādziendrošā materiāla logo
- k - Kategorija 2 ~ zona 1 ~ Deģošu materiālu periodiska klātesamība normālas darbības laikā. Papildus zīme uzlikta virs plāksnes ar Produkcijas numuru / Ražošanas numurs / Ražošanas datums.

Výrobce

Naše výrobky jsou vyrobeny v souladu s platnými mezinárodními normami a předpisy.



Systemair AB
Industrivägen 3
739 30 Skinnskatteberg
Tel: 0222-440 00
Fax: 0222-440 99

Prohlášení o shodě EU

definované Směrnicí EU ATEX94/9EC

Ventilátory

Typ	Číslo certifikátu	Instituce
EX 140-2	SP03ATEX3101x	SP *
EX 140-2C	SP03ATEX3101x	SP
EX 140-4	SP03ATEX3101x	SP
EX 140-4C	SP03ATEX3101x	SP
EX 180-4	SP03ATEX3101x	SP
EX 180-4C	SP03ATEX3101x	SP

Ventilátory pro čtyřhranné potrubí

Typ	Číslo certifikátu	Instituce
KTEX 50-25-4	SP04ATEX3105x	SP *
KTEX 50-30-4	SP03ATEX3103x	SP
KTEX 60-30-4	SP04ATEX3107x	SP
KTEX 60-35-4	SP04ATEX3109X	SP
KTEX 70-40-6	SP04ATEX3111X	SP

Radiální ventilátory

Typ	Číslo certifikátu	Instituce
DKEX 225-4	SP04ATEX3106x	SP *
DKEX 250-4	SP03ATEX3104x	SP
DKEX 280-4	SP04ATEX3108x	SP
DKEX 315-4	SP04ATEX3110X	SP
DKEX 355-6	SP04ATEX3112X	SP

Střešní ventilátory

Typ	Číslo certifikátu	Instituce
DVEX 315D4	SP04ATEX3113X	SP *
DVEX 315D4	SP07ATEX3129X	SP
DVEX 355D4	SP04ATEX3114X	SP
DVEX 355D4	SP07ATEX3130X	SP
DVEX 400D4	SP05ATEX3115X	SP
DVEX 400D4	SP07ATEX3131X	SP
DVEX 450D4	SP04ATEX3116X	SP
DVEX 450D4	SP07ATEX3132X	SP
DVEX 500D6	SP04ATEX3117X	SP
DVEX 500D6	SP07ATEX3133X	SP
DVEX 560D6	SP05ATEX3118X	SP
DVEX 560D6	SP07ATEX3134X	SP
DVEX 630D6	SP04ATEX3119X	SP
DVEX 630D6	SP07ATEX3135X	SP

*SP=Švédský Národní Zkušební a Výzkumný Ústav
SE -501 15 Boras, Švédsko

Uplatněné jsou následující harmonizované normy:

EN 50 014: 1997+A1 +A2

Nevýbušná elektrická zařízení, všeobecné požadavky.

EN 50 019: 2000

Nevýbušná el. Zařízení - návrh se zvýšenou elektrickou bezpečností „e“.

Výrobce zaručuje, že výše uvedené výrobky jsou v souladu s požadavky uvedenými v seznámení stroje, nízké napětí, a EMC ve smyslu níže uvedeného seznamu.

EN 1127-1

Výbušné prostředí – Zamezení a ochrana proti výbuchu.

EN 13463-1:2001

Neelektrická zařízení pro potenciálně prostředí s nebezpečím výbuchu.

Prohlášení o shodě EC

definované Směrnicí EC o strojních zařízeních
98/37/EC, Příloha II B.

Tato zařízení se nesmí uvést do provozu bez předchozího přečtení montážního návodu a bezpečnostních informací.

Uplatněné jsou následující harmonizované normy:

EN 60 034-1

Točivé elektrické stroje; jmenovité údaje a vlastnosti.

EN 60 204-1

Bezpečnost strojních zařízení; elektrické vybavení strojů; všeobecné požadavky.

SS-EN ISO 12100-1:2003.

Bezpečnost strojních zařízení. Základní koncept, všeobecné požadavky.

EN 294

Bezpečnost strojních zařízení; bezpečnostní vzdálenosti zabraňující dosažitelnosti nebezpečných zón horními končetinami.

Poznámka: EN 294 platí pouze v případě, že instalované kontaktní bezpečnostní zařízení je součástí dodávky.

Za úplné splnění EN 294 je zodpovědný montér zařízení.

Prohlášení o shodě EC

Definované směrnici EC EMC 89/336/EEC, 92/31/EEC a 93/68/EEC

Uplatněné jsou následující harmonizované normy:

EN 61000-6-3: Elektromagnetická kompatibilita – Generická odolnost-Vyzařování – Část 1: Všeobecné požadavky na zařízení v domácnostech, kancelářích, obchodech a v podobných prostředích.

EN 61000-6-2 Elektromagnetická kompatibilita (EMC) – Část 6-2:

Všeobecné požadavky – Odolnost zařízení v průmyslových prostředích.

Úplná technická dokumentace je k dispozici na vyžádání
Skinnskatteberg, 08. srpna 2003



Mats Sándor
Technický ředitel

Bezpečnostní informace

Instalaci a elektrické připojení smí provádět pouze pracovník s příslušnou kvalifikací a musí být provedeno v souladu se všemi platnými normami. Pokud je instalace provedena podle EN 60079-14, pak tato instalace splňuje požadavky normy na vysoké napětí. Ventilátor musí být nainstalovaný a chráněn tak, aby při kontaktu oběžného kola s cizími předměty nedocházelo k jiskření. Přepřavovaný vzduch nesmí působit korozivně na skříň ventilátoru či oběžné kolo (hliník nebo ocel). Po instalaci musí být chráněn před dotykem všechny pohyblivé části (EN 294). Elektrické zapojení ve svorkovnici musí být provedeno podle schématu, přičemž svorkovnice a kabely musí být jasně označeny. Ochranné uzemnění (PE) musí být zapojeno vždy. (Pokud hrozí nebezpečí statické elektřiny, musí být plášť ventilátoru spojený se zemí). Ventilátory mohou být použity ve výbušných prostředích (EE eq II T3 pro jednofázové a Eex e II T3 pro třífázové napětí) a pro přepravu plynů, ale nesmí být připojeny ke kanálu kouřovodu.

Ventilátory typu KTEX, DKEX a DVEX musí být připojeny k ochrannému relé typu U-EK230E, přičemž monitorovací zařízení musí být označeno jako "PTB03ATEX3045". Ochranné relé je vybavené manuálním resetem. Kontrolka se rozsvítí pokud je motor vypnutý a zařízení je nutné umístit mimo zónu nebezpečí.

Pokud je ventilátor DVEX vybaven vyklápěcím zařízením nesmí být otevřený v případě přítomnosti výbušné atmosféry. Aby nebylo možné otevřít ventilátor samovolně, musí být zajištěn pomocí šroubu (M6x10), (od velikosti 450 2 šrouby). Aby se ventilátor v otevřené poloze samovolně nezavřel, je potřeba jej zazabzpečit jistícím šroubem M8x16. Obr.13.

Ventilátor zavírejte opatrně - bez nárazu!

Ventilátory typu EX 140/180 musí být vybaveny ochranným spínačem, který je nastavený tak, aby chránil motor před přetížením a aby vypnul oběžné kolo, jakmile je brzdění delší než 15 s. Na stanovení času návratu ochrany motoru je potřebné použít křivku spuštění, která vyjadřuje čas spuštění motorové ochrany v závislosti od poměru mezi rozběhovým a nominálním proudem (IA/IN), přičemž hodnota poměru se musí pohybovat v rozmezí $2,9 < IA/IN < 8$ při teplotě prostředí 20°C. Čas spuštění ochrany motoru se nesmí odchýlovat od křivky spuštění o víc než o 20 %. Na to, aby proud motoru odpovídal hodnotám uvedených v tabulce 1, je potřeba stlumením ventilátoru nastavit statický tlak. Ventilátory se nesmí instalovat ve venkovním prostředí (s výjimkou DVEX). Bezpečnostní příslušenství (např. ochrana motoru, bezpečnostní mřížka) nesmí být rozebrány či odpojené. Před provedením údržby, servisu nebo oprav zkontrolujte, zda zdroj napájení je vypnutý (vypínač obvodu pro všechny póly) a oběžné kolo ventilátoru je úplně zastavené.

UPOZORNĚNÍ! Ventilátory mohou mít ostré hrany a rohy, které mohou způsobit zranění. Buďte opatrní při otvírání servisních dvířek (výklopných dvířek); ventilátor a motor namontované na dvířkách, jsou poměrně těžké

Doprava a skladování

Všechny ventilátory jsou ve výrobní závodě balené tak, aby snesly standartní manipulaci během dopravy. Při manipulaci se zbožím používejte vhodné zdvihací zařízení, aby se předešlo poškození ventilátorů a zranění osob. Nezdvíhejte ventilátory za připojovací kabely, svorkovnici, oběžné kolo, ani za sací hrdlo. Chraňte před úderem a otřesy. Ventilátory je nutné skladovat v krytém a suchém skladu. Neskladujte ventilátor příliš dlouho (doporučujeme max. 1 rok).

Před montáží zkontrolujte, zda ložiska motoru nehlučí.

Instalace

Před instalací se vždy seznamte s bezpečnostními pokyny.

Základním předpokladem pro správnou instalaci je stanovení klasifikace nebezpečných zón podle platných norem.

V proudě vzduchu nesmí být přítomny čistečky rzi. Monitorovací zařízení je třeba označit jako "PTB03ATEX3045".

Rychlost ventilátorů EX 140/180 nelze regulovat. POZOR! Nepoužívejte kovové stlačovací těsnící průchodky s plastovými uzávěry. Použijte spolu se stlačovací těsnící průchodkou těsnění, tak aby byly splněny požadavky třídy krytí IP 54 ve smyslu IEC 529.

Teplota okolí a teplota přepravovaného vzduchu musí být v rozpětí od -20°C do +40°C. Namontujte ventilátor ve shodě se směrem proudu vzduchu (viz. šipka na zařízení). Ventilátor musí být nainstalovaný tak, aby se vibrace nepřenášely na potrubní systém. Ujistěte se, zda je ventilátor pevně namontovaný a má stabilní polohu. Ventilátor lze instalovat v libovolné poloze. Je třeba jej nainstalovat tak, aby nebyl narušen přístup a bezpečnost servisních a údržbových prací. Rušivé zvuky lze redukovat instalováním tlumičů (doplňkové příslušenství). Ventilátory jsou v rámci uvedeného intervalu teplot určeny pro nepřetržitý provoz.

Instalace musí být provedeny tak, aby krytí pláště na straně sání odpovídalo IP 20 a na straně výtaku IP 10. Části, které zabezpečují příslušné bezpečnostní krytí, musí být navrženy s vhodnou tloušťkou a z vhodného materiálu. Zakončení kabelů by měly být nainstalovány tak, aby byly mechanicky chráněny a odpovídaly podmínkám okolního prostředí.

Kabely pro instalaci ventilátoru EX 180-4 (440V, 3f, 60 Hz) musí odolat 100°C. Kabely pro připojení ventilátorů EX 140/180 mají mít průměr 6,5 – 12 mm a vodivý průřez 1.5-2.5 mm². Hlavní napájení ventilátorů EX musí být pevné. V případě, že rám je externě uzemněn, viz. obr. 8 strana 2, zemnicí vodič (b) musí být přiletovaný mezi 2 cínovými destičkami (a). Montážní konzole FXK (2 ks na 1 ventilátor) jsou k dispozici jako příslušenství. Konzole se montují přímo na motor (viz. obr. 7)

Provoz

Před zahájením provozu se nejprve prozkoumejte bezpečnostní informace. Při uvádění do provozu zkontrolujte:

- Naměřené údaje nesmí překročit hodnoty uvedené na štítku ventilátoru. Nominální proud je možné snížit, když je ventilátor pod tlakem. Údaje zapojení odpovídají údajům na štítku:

Maximální napětí +6%, -10%, ve smyslu IEC 38.

Nominální proud nesmí překročit při nominálním napětí mezní hodnotu.

U ventilátorů s regulací otáček (DKEX, KTEX, DVEX) snížením napětí, musí ovládání ventilátoru probíhat v intervalu 15 až 100% nominálního napětí. Minimální pokles statického tlaku nesmí přesáhnout uvedenou hodnotu (viz. tabulka 1). Ventilátory nesmí být ovládány frekvenčně.

- Ochrana motoru je funkční (ve spojení s ochranným relé).

- Směr rotace ventilátoru odpovídá šipce.

- Motor běží hladce (bez nezvyklých zvuků).

- Pohyblivé části se nedotýkají rámu nebo ochranných sítí.

- Nedochází k častému zapínání a vypínání. Ventilátory jsou určeny pro nepřetržitý provoz.

Údržba, servis a opravy

Před zahájením údržby, servisu či opravy vždy prostudujte bezpečnostní informace. Před vypnutím ventilátoru se ujistěte, že není přítomno výbušné prostředí.

Ventilátor je třeba čistit podle potřeby, minimálně jednou ročně, aby nedošlo k narušení vyvážení a k zbytečnému poškození ložisek. Ložisko je potřebné přezkoumat při případných nezvyklých zvucích. Životnost ložisek závisí na době a teplotě provozování, ale minimální životnost je 40 000 hodin. Ložisko je třeba vyměnit v případě vyschnutí maziva. Lepící páska, která uzavírá ventilační otvory kondenzátoru na jednofázových ventilátorech musí být pravidelně kontrolována na těsnost. Pokud je poškozena nebo se ztratila, je nutno vyměnit celý kondenzátor. V případě poruchy kondenzátoru je nutno opravu svěřit zaměstnancům firmy Systemair. Filtr vždy přispívá k prodloužení intervalu mezi čistěním. Nepoužívejte na čistění ventilátoru přetlakové čističe (proud páry). Zkontrolujte, zda vyvažovací tělíska oběžného kola nejsou posunuta nebo či oběžné kolo není deformované. Přezkoumejte, zda při chodu nevzniká nezvyklý zvuk. Ujistěte se, že ventilátor není zablokovaný nebo není narušena ochrana motoru.

Venkovní instalace: Je-li ventilátor trvale umístěn ve vlhkém prostředí, musí být spuštěn minimálně na 2 hodiny každý týden, aby došlo k odstranění případné zkonzenzované vlhkosti.

V případě výrobků s ATEX certifikátem není povolena oprava či výměna součástek.

Tabulka 1

Typ	Napětí (V)	Proud (A)	I _{max} při reg. otáček (%) *1)	Výkon (kW)	Min. stat. tlak. ztráta (Pa) /otáčky					Schéma zapojení Strana 2
					1 *2	2	3	4	5	
EX 140-2	230V3~/400V3~	2,25/1,28	-	0,70						10
EX 140-2C	230V1~	3,0	-	0,69						9
EX 140-4	230V3~/400V3~	0,66/0,38	-	0,13						10
EX140-4C	230V1~	0,63	-	0,12						9
EX 180-4	230V3~/400V3~	0,74/0,43	-	0,19						10
EX 180-4C	230V1~	0,91	-	0,19						9
KTEX 50-25-4	400V3~	0,85	12	0,49	0	0	0	30	90	(Y)
KTEX 50-25-4	230V3~	1,47	12	0,49	0	0	0	30	90	(D)
KTEX 50-30-4	400V3~	1,8	6	0,9	0	40	60	90	140	(Y)
KTEX 50-30-4	230V3~	3,1	6	0,9	0	40	60	90	140	(D)
KTEX 60-30-4	230V3~/400V3~	3,8/2,2	9	1,3	0	75	115	165	225	(D)/(Y)
KTEX 60-35-4	230V3~/400V3~	6,8/3,9	17	2,1	0	70	100	150	220	(D)/(Y)
KTEX 70-40-6	230V3~/400V3~	6,4/3,7	0	1,8	0	0	0	0	0	(D)/(Y)
DKEX 225-4	400V3~	0,85	12	0,49	0	0	0	30	90	(Y)
DKEX 225-4	230V3~	1,47	12	0,49	0	0	0	30	90	(D)
DKEX 250-4	400V3~	1,8	6	0,9	0	40	70	100	145	(Y)
DKEX 250-4	230V3~	3,1	6	0,9	0	40	70	100	145	(D)
DKEX 280-4	230V3~/400V3~	3,8/2,2	9	1,3	0	70	120	200	280	(D)/(Y)
DKEX 315-4	230V3~/400V3~	6,8/3,9	17	2,1	0	100	150	200	250	(D)/(Y)
DKEX 355-6	230V3~/400V3~	6,4/3,7	0	1,8	0	0	0	0	0	(D)/(Y)
DVEX 315D4	400V3~	0,23	0	0,12						(Y)
DVEX 315D4	230V3~	0,4	0	0,12						(D)
DVEX 355D4	230V3~/400V3~	0,81/0,47	12	0,26						(D)/(Y)
DVEX 400D4	230V3~/400V3~	1,31/0,76	12	0,39						(D)/(Y)
DVEX 450D4	230/400V 3-fas	2,46/1,42	6	0,72						(D)/(Y)
DVEX 500D6	230V3~/400V3~	1,50/0,87	0	0,38						(D)/(Y)
DVEX 560D6	230V3~/400V3~	2,13/1,23	5	0,62						(D)/(Y)
DVEX 630D6	230V3~/400V3~	3,72/2,15	0	1,07						(D)/(Y)

*1) Proud smí překročit nominální proud na štítku v uvedeném poměru (%) pouze pokud celkový příkon nepřesáhne hodnotu uvedenou na štítku.

*2)	Otáčky	1	2	3	4	5
	Napětí 230V3~	80	105	130	160	230
	Napětí 400V3~	90	140	180	230	400

Popis štítku, Obr. 12

- a - Oblast volného trhu EU
- b - Oznamované číslo dílu pro SP
- c - Číslo certifikátu
- d - Certifikace ve smyslu evropského standardu
- e - Nevýbušný materiál
- f - Třída ochrany ~ vysoká bezpečnost
- g - Třída ochrany ~ zařízení s pískem
- h - Třída výbušnosti II (též IIA, IIB a IIC)
- i - Teplotní třída, max. povrchová teplota ventilátoru 200 stupňů, možno použít pro plynné směsi se zápalnou teplotou vyšší než 200°C
- j - Logo nevýbušného materiálu
- k - Kategorie 2 ~ zona 1 ~ Hořlavý materiál občas přítomný během běžného provozu.
Doplňkový štítek na štítku s názvem uvádí číslo výrobku/ výrobní číslo/ datum výroby.

Producent

Nasze produkty są produkowane zgodnie z odpowiednimi normami i standardami CE



Systemair AB
Industrivagen 3
SE-739 30
Skinnskatteberg
SZWECJA
TEL +46 222 440 00
FAX +46 222 440 99

DEKLARACJA ZGODNOŚCI CE

Definiowana jako deklaracja typu CE według ATEX –
Dyrektywa 94/9EC.

Wentylatory kanałowe do kanałów o przekroju kołowym:

Typ	Nr certyfikatu	Certyfikat
EX 140-2	SP03 ATEX 3101x	SP*
EX 140-2C	SP03 ATEX 3101x	SP*
EX 140-4	SP03 ATEX 3101x	SP*
EX 140-4C	SP03 ATEX 3101x	SP*
EX 180-4	SP03 ATEX 3101x	SP*
EX 180-4C	SP03 ATEX 3101x	SP*

Wentylatory kanałowe do kanałów o przekroju prostokątnym

Typ	Nr certyfikatu	Certyfikat
KTEX 50-25-4	SP04 ATEX 3105x	SP*
KTEX 50-30-4	SP04 ATEX 3103x	SP*
KTEX 60-30-4	SP04 ATEX 3107x	SP*
KTEX 60-35-4	SP04 ATEX 3109x	SP*
KTEX 70-40-6	SP04 ATEX 3111x	SP*

Wentylatory promieniowe, kanałowe z wyrzutem bocznym

Typ	Nr certyfikatu	Certyfikat
DKEX 225-4	SP04 ATEX 3106x	SP*
DKEX 250-4	SP04 ATEX 3104x	SP*
DKEX 280-4	SP04 ATEX 3108x	SP*
DKEX 315-4	SP04 ATEX 3110x	SP*
DKEX 355-6	SP04 ATEX 3112x	SP*

Wentylatory dachowe z wyrzutem górnym

Typ	Nr certyfikatu	Certyfikat
DVEX 315D4	SP04 ATEX 3113x	SP*
DVEX 315D4	SP07 ATEX 3129x	SP*
DVEX 355D4	SP04 ATEX 3114x	SP*
DVEX 355D4	SP07 ATEX 3130x	SP*
DVEX 400D4	SP05 ATEX 3115x	SP*
DVEX 400D4	SP07 ATEX 3131x	SP*
DVEX 450D4	SP04 ATEX 3116x	SP*
DVEX 450D4	SP07 ATEX 3132x	SP*
DVEX 500D6	SP04 ATEX 3117x	SP*
DVEX 500D6	SP07 ATEX 3133x	SP*
DVEX 560D6	SP05 ATEX 3118x	SP*
DVEX 560D6	SP07 ATEX 3134x	SP*
DVEX 630D6	SP04 ATEX 3119x	SP*
DVEX 630D6	SP07 ATEX 3135x	SP*

*) SP – Szwedzki Narodowy Instytut Badań i Testów,
SE-501-15 BORAS, Szwecja

Zastosowano następujące zharmonizowane standardy:

EN 50 014: 1997 +A1+A2 –
Materiały elektryczne zabezpieczone przed eksplozją –
wymagania generalne.
EN 50 019:2000 –Konstrukcja z podwyższonym stopniem
bezpieczeństwa 'e'.
Producent zapewnia, że produkty poniższe są zgodne z
wymaganiami Dyrektywy Maszynowej, Dyrektywy Niskiego
Napięcia oraz Dyrektywy Kompatybilności Elektromagnetycznej
EMC jak wymieniono poniżej:

EN-1127-1 Atmosfera wybuchowa – Prewencja i ochrona przed
eksplozją

EN 13463-1:2001 Nielektryczne elementy wyposażenia do
stosowania w potencjalnie wybuchowej atmosferze.

Deklaracja zgodności typu CE

Definiowana jako Dyrektywa Maszynowa CE nr 98/37/EC,
załącznik IIB

Nie wolno eksploatować wentylatora zanim wszystkie części,
wchodzące w jego skład nie zostaną zamontowane zgodnie z
wymaganiami Dyrektywy Maszynowej.

Stosowane są następujące zharmonizowane standardy i normy:

EN 60 204-1

Bezpieczeństwo maszyn, elektryczny osprzęt maszyn,
wymagania generalne

EN 60 034-1

Elektryczne maszyny z częściami wirującymi.; część 1: Dane
znamionowe oraz zachowanie się w działaniu.

EN ISO 12100-1:2003

Bezpieczeństwo maszyn. Podstawowe założenia, generalne
wytyczne projektowe.

EN 294

Bezpieczeństwo maszyn, bezpieczne odległości.

UWAGA: Zgodność z EN 294 dotyczy montowanego osprzętu
zabezpieczającego pod warunkiem, że jest on załączony w
dostawie. Producent systemu jest odpowiedzialny za zgodność
z normą EN 294 zachowania stref bezpieczeństwa

Deklaracja zgodności typu CE

Definiowana jako Dyrektywa CE Kompatybilności
Elektromagnetycznej EMC nr: 89/336/EEC, 92/31/EEC i
93/68/EEC.

Następujące zharmonizowane standardy są stosowane:

EN 61000-6-3: Kompatybilność elektromagnetyczna – Emisja –
część 1: Wymagania generalne dla wyposażenia do domów,
biur, sklepów i podobnych.

EN 61000-6-2: Kompatybilność elektromagnetyczna (EMC) –
część 2: Wymagania generalne – odporność na zakłócenia w
środowisku przemysłowym.

Kompletna dokumentacja techniczna do wglądu.
Skinnskatteberg, 08 sierpnia 2003



Mats Sandor
Menedżer techniczny.

Informacje odnośnie bezpieczeństwa

Instalacja, podłączenie elektryczne oraz uruchomienie wentylatora powinno być wykonywane tylko przez przeszkolony personel posiadający odpowiednie uprawnienia zawodowe zgodnie z odnośnymi przepisami. Instalacja powinna odpowiadać wymaganiom odnośnie instalacji silnoprądowych. Instalacja wykonana zgodnie z wymaganiami EN 60079-14 powinna odpowiadać również wymaganiom Dyrektywy Wysokiego Napięcia. Wentylator powinien być zainstalowany i zabezpieczony tak, aby ochronić go przed powstaniem iskry w wyniku dostania się ciała obcego w obręb obracającego się wirnika. Przetłaczane powietrze musi być czyste-pozbawione cząstek stałych, rdzy itp. Powietrze nie może zawierać czynników agresywnych chemicznie mogących wywołać korozję obudowy, wirnika lub osi wentylatora (stal i aluminium).

Jeżeli wentylator nie jest wbudowany w system kanałowy to wlot musi być zabezpieczony odpowiednimi kratkami ochronnymi tak, aby niemożliwe było odstanie się do środka ciał obcych (EN 294). Podłączenie elektryczne zasilania silnika powinno być wykonane zgodnie z odpowiednim schematem umieszczonym na skrzynce przyłączeniowej, listwie zaciskowej albo na odpowiedniej plakietce na kablu. Przewód ochronny (PE) musi być zawsze podłączony. Jeżeli istnieje ryzyko występowania elektryczności statycznej cała instalacja musi być uziemiona osobnym przewodem wyrównawczym z mostkami ekwipotencjalowymi - włącznie z obudową wentylatora.

Wentylatory są przeznaczone do eksploatacji w atmosferze potencjalnie wybuchowej zgodnie z klasyfikacją: EE eq II T3 dla wentylatorów zasilanych 1x230V oraz Eex e II T3 dla wentylatorów zasilanych 3x400V. Wentylatory są przeznaczone wyłącznie do przetłaczania gazów. Wentylatory nie mogą być stosowane do przetłaczania spalin.

UWAGA:

Wentylatory serii: KTEX, DVEX, DKEX **muszą być zabezpieczone termicznie przy pomocy odpowiedniego przekaźnika ochronnego współpracującego z czujnikiem PTC wbudowanym w uzwojenia silnika. Przełącznik ochronny musi również posiadać odpowiedni certyfikat ATEX.**

Zalecamy stosować urządzenie ochrony termicznej typu „U-EK230E”, numer certyfikatu: „PTB03ATEX3045”. Na stronie 3 podajemy poprawny schemat podłączenia urządzenia ochrony termicznej do silnika wentylatora.

UWAGA: Wentylatory: KTEX, DVEX oraz DKEX mogą być regulowane tylko przy pomocy regulatorów transformatorowych.

Przełącznik U-EK230E, stycznik, regulator RTRD itd muszą być umieszczone poza strefą wybuchową.

Wentylatory KTEX, DVEX, DKEX oraz EX **nie mogą być zasilane i/lub regulowane przy pomocy przemienników częstotliwości (falowników).**

Wentylatory wyposażone w dźwigniowy mechanizm uchylny (patrz rys 13) nie mogą być otwierane, gdy w kanałach znajduje się palny gaz. Rama zablokowana jest przed otwarciem wkrętami M6x10. Zawiasy zablokowane są dodatkowo śrubami M8x16. Po otwarciu wentylator można zabezpieczyć przez samoczynnym zatrzaśnięciem śrubami M8x16 tak jak to pokazuje rys.13.

UWAGA: Wentylator zamykać powoli ręcznie, nie wolno go zatrzaśkiwać!

Wentylatory typoszeregu: EX 140/180 muszą być zabezpieczone termicznie przy pomocy wyłączników termicznych nadprądowych. Dobór wyłącznika należy przeprowadzić w oparciu o charakterystykę czasu wyzwalania wyrażoną w funkcji I_A/I_N . Dla krotności prądów: $2,9 < I_A/I_N < 8$ czas wyłączenia nie może być dłuższy niż wspomniane 15s przy temperaturze otoczenia 20°C. Maksymalna odchyłka rzeczywistego czasu zadziałania wyłącznika powinna zawierać się w zakresie 20%. W ofercie Systemair znajdują się wyłączniki typu MSEX, których zestawienie podaje poniższa tabelka.

Wentylator	Wyłącznik Systemair	Wentylator	Wyłącznik Systemair
EX 140-2	MSEX 1,6	EX 140-2C	MSEX 4,0
EX 140-4	MSEX 0,4	EX 140-4C	MSEX 0,63
EX 180-4	MSEX 0,63	EX 180-4C	MSEX 1,0

Prosimy też zwrócić uwagę na wartości minimalnych przeciwcisnień wymaganych podczas pracy wentylatora dla zachowania odpowiedniej wartości prądów pracy (mniejszych niż prądy znamionowe wentylatorów) – patrz tabela na końcu rozdziału.

Wentylatory (za wyjątkiem serii DVEX) nie mogą być montowane na zewnątrz. Elementy zabezpieczające (zabezpieczenie termiczne silnika, kratki na kanałach itd) nie mogą być zdemontowane, zablokowane albo zbcznikowane w czasie, gdy wentylator pracuje. Przed przystąpieniem do serwisowania, naprawy albo innych czynności obsługowych upewnić się, że zasilanie wentylatora jest odłączone a wirnik wentylatora zatrzymał się. **UWGA:** Wentylator na ostre zakończenia krawędzi i naroży, które mogą spowodować skałeczenia. Zachować ostrożność przy otwieraniu wentylatorów w celu obsługi. Kłapa, na której zawieszony jest silnik może okazać się zaskakująco ciężka.

Transport i przechowywanie

Wszystkie wentylatory są zapakowane w fabryce stosownie do przeciętnych warunków transportu. Przy podnoszeniu używać stosownych zawiesi dla uniknięcia oberwania się spadnięcia wentylatora. **UWAGA:** nie wolno podnosić wentylatora za kable elektryczne, puszkę przyłączeniową, wirnik wentylatora lub stożek wlotowy. Unikać wstrząsów i dużych przeciążeń. Przechowywać w suchym miejscu, zabezpieczone przed wpływem wilgoci. Po dłuższym przechowywaniu wentylatora należy sprawdzić stan izolacji uzwojeń. Rezystancja izolacji powinna być $\geq 100M\Omega$. Nie zaleca się przechowywania wentylatorów zbyt długo (nie więcej niż około 1 rok). Przed uruchomieniem sprawdzić osłuchowo stan łożysk.

Instalacja

Przed przystąpieniem do instalowania wentylatora zapoznać się z punktem „Informacje odnośnie bezpieczeństwa”. Sprawdzić czy spełnione są wymagania tam określone.

Przed przystąpieniem do instalacji wentylatora zapoznać się z punktem „Informacje odnośnie bezpieczeństwa”. Klasyfikacja stref niebezpiecznych powinna być zgodna z wymaganiami SIND-FS 1983:2. /Skandynawia/ oraz CELENEC (norma: EN 60079-10: 2002) Urządzenia ochrony termicznej silnika oraz element instalacji jak puszki przyłączeniowe powinny mieć swój własny certyfikat według wymagań ATEX.

W strumieniu powietrza przepływającego przez wentylator nie mogą być obecne cząstki rdzy. Wentylatory EX 140/180 nie mogą mieć regulowanej prędkości obrotowej. UWAGA: nie używać metalowych dławików i przepustów mocowania kabli w otworach plastikowych puszek przyłączeniowych. Używać plastikowych lub gumowych uszczelnień i/lub przepustów (dławików) dla zapewnienia wymaganej klasy IP54 szczelności zamknięcia.

Temperatura otoczenia oraz transportowanego powietrza powinna zawierać się w zakresie: $-20...+40^{\circ}\text{C}$. Wentylatory typoszeregu EX 148/180 nie mogą być wystawione bezpośrednio na działanie promieni słonecznych. Przy montażu zwracać uwagę na kierunek przepływu powietrza, pokazany strzałkami na obudowie. Wentylator montować tak, aby drgania wirnika nie przenosiły się na kanały i pozostałą część instalacji (W ofercie Systemair są dostępne odpowiednie łącza elastyczne). Upewnić się, że montaż wentylatora jest pewny i stabilny. Wentylatory mogą być montowane w dowolnym położeniu, o ile w katalogu produktów nie ma specjalnych innych zastrzeżeń. Montaż wentylatora musi umożliwiać łatwy i bezpieczny dostęp dla wykonania serwisu lub napraw. Poziom hałasu w kanałach można zredukować instalując tłumiki kanałowe (dostępne w ofercie Systemair jako akcesoria). Wentylatory są przeznaczone do pracy ciągłej w podanym wyżej przedziale temperatur. Instalacja kanałowa musi zapewnić klasę szczelności IP 20 minimum na zasysie (blokada cząstek stałych $\Phi \leq 12\text{mm}$) oraz IP10 na wyrzucie ($\Phi \leq 50\text{mm}$). Elementy instalacji odpowiedzialne za zapewnienie wymaganych klas powinny być zbudowane w sposób poprawny mechanicznie i wykonane z takich materiałów, aby zapewnić należyłą wytrzymałość i odporność. Zakończenia przewodów zasilania silnika powinny być zabezpieczone mechanicznie i chronione stosownie do wymagań otoczenia.

Przewody do podłączenia zasilania wentylatorów EX 140/180 muszą wytrzymać temperaturę 100°C i muszą mieć przekrój minimum $1,5\text{mm}^2$. Puszka przyłączeniowa przystosowana jest do kabli o zewnętrznej średnicy $\Phi 6...12\text{mm}$. Rysunek 8 pokazuje sposób podłączenia przewodu wyrównawczego. Przewód „b” (rys 8) powinien być zaciśnięty między dwoma płytkami „a”.

Rysunek 7 pokazuje sposób montażu wsporników montażowych typu FKX (komplet zawiera 2 szt. wsporników, dostępne jako akcesoria) do wentylatorów serii EX 140/180.

Wentylatory DVEX, KTEX oraz DKEX są dostarczane bez puszek przyłączeniowej.

Eksploatacja

Przed przystąpieniem do pierwszego uruchomienia wentylatora zapoznać się z punktem „Informacje odnośnie bezpieczeństwa”. Sprawdzić czy spełnione są wymagania tam określone.

Podczas pierwszego uruchomienia należy:

- Sprawdzić, czy wartości napięć i prądów odpowiadają wartościom znamionowym podanym na tabliczce znamionowej wentylatora. Prąd roboczy można obniżyć zwiększając spręż (przeciwiśnienie) wentylatora. Zbyt małe przeciwiśnienie w niektórych typach wentylatorów może powodować pobór zbyt dużego prądu (patrz

tabela nr 1), czego efektem będzie grzanie się jego silnika.

- Sprawdzić, czy napięcie zasilania zawiera się w przedziale: $-10...+6\% U_N$ (zgodnie z IEC 38).
 - Sprawdzić, czy prąd pobierany podczas pracy nie przekracza wartości prądu znamionowego przy napięciu znamionowym.
 - Przy regulacji napięciowej -dotyczy KTEX; DVEX; DKEX – wartość prądu może być wyższa niż prąd znamionowy. Tabela na końcu rozdziału podaje współczynnik [%] przekroczenia prądu dla obniżonego napięcia.
- Następnie należy skontrolować:
- Poprawność pracy urządzenia zabezpieczenia termicznego silnika wentylatora,
 - Wartość przeciwiśnienia zgodnie z tabelą nr 1 .
 - Kierunek obracania się wirnika wentylatora
 - Czy wentylator pracuje płynnie bez nadmiernego hałasu lub drgań.
 - Czy inne elementy nie dotykają obudowy lub krętek wlotowej/wylotowej.
 - Czy urządzenie sterujące nie będzie powodować zbyt częstego włączania i wyłączania wentylatora. Wentylatory przeznaczone do pracy ciągłej S1.

Obsługa, Serwis i naprawy

Przed przystąpieniem czynności serwisowych lub naprawczych zapoznać się z punktem „Informacje odnośnie bezpieczeństwa”. Sprawdzić czy spełnione są wymagania tam określone.

Przed wyłączeniem wentylatora upewnić się, czy w kanałach i w wentylatorze nie ma pozostałości czynników palnych i wybuchowych.

Wentylator powinien być czyszczony w razie potrzeby, co najmniej raz do roku dla uniknięcia utraty wyważenia i przedwczesnego zużycia łożysk. Co najmniej raz do roku należy również sprawdzać słuchowo, czy pracy wentylatora nie towarzyszy nadmierny, nienormalny hałas, co może świadczyć o uszkodzeniu łożysk. Wymianę łożysk może przeprowadzić jedynie autoryzowany serwis dostawcy wentylatora.

Uszkodzony kondensator (dotyczy wentylatorów z zasilanymi jednofazowo) może być wymieniony tylko na identyczny lub ścisły odpowiednik. Zawsze należy stosować filtry chroniące wnętrze wentylatora (i jego wirnik) przed zanieczyszczeniem. Pozwala to ograniczyć osadzanie się zanieczyszczeń na wirniku. W wypadku nadmiernego zanieczyszczenia wirnika konieczne jest jego oczyszczenie. Do czyszczenia nie używać ostrych narzędzi lub agresywnych substancji chemicznych ani myjek ciśnieniowych lub sprężonego powietrza. Przy czyszczeniu uważać, aby nie usunąć lub przemieścić odważniki wyważające osadzone na krawędziach łopaty wirnika.

Naprawa elementów składowych wentylatora lub wymiana jego jest niedopuszczalna ze względu na wymagania certyfikatu wg. ATEX.

Wentylatory dachowe (DVEX) muszą być uruchamiane co najmniej raz na tydzień na 2 godziny o ile nie pracują ciągle. Zapobiega to gromadzeniu się kondensatu wewnątrz silnika.

Model	Napięcie znamionowe (V)	Prąd znamionowy current (A)	I_{max} Dla regulacji* [%]	Moc znamionowa N (kW)	Minimalne przeciwnieśnienie [Pa]					Schemat połączeń
					bieg 1	bieg 2	bieg 3	bieg 4	bieg 5	
EX 140-2	230V3~/400V3~	2,25/1,28	-	0,70						10
EX 140-2C	230V1~	3,0	-	0,69						9
EX 140-4	230V3~/400V3~	0,66/0,38	-	0,13						10
EX140-4C	230V1~	0,63	-	0,12						9
EX 180-4	230V3~/400V3~	0,74/0,43	-	0,19						10
EX 180-4C	230V1~	0,91	-	0,19						9
KTEX 50-25-4	400V3~	0,85	12	0,49	0	0	0	30	90	(Y)
KTEX 50-25-4	230V3~	1,47	12	0,49	0	0	0	30	90	(D)
KTEX 50-30-4	400V3~	1,8	6	0,9	0	40	60	90	140	(Y)
KTEX 50-30-4	230V3~	3,1	6	0,9	0	40	60	90	140	(D)
KTEX 60-30-4	230V3~/400V3~	3,8/2,2	9	1,3	0	75	115	165	225	(D)/(Y)
KTEX 60-35-4	230V3~/400V3~	6,8/3,9	17	2,1	0	70	100	150	220	(D)/(Y)
KTEX 70-40-6	230V3~/400V3~	6,4/3,7	0	1,8	0	0	0	0	0	(D)/(Y)
DKEX 225-4	400V3~	0,85	12	0,49	0	0	0	30	90	(Y)
DKEX 225-4	230V3~	1,47	12	0,49	0	0	0	30	90	(D)
DKEX 250-4	400V3~	1,8	6	0,9	0	40	70	100	145	(Y)
DKEX 250-4	230V3~	3,1	6	0,9	0	40	70	100	145	(D)
DKEX 280-4	230V3~/400V3~	3,8/2,2	9	1,3	0	70	120	200	280	(D)/(Y)
DKEX 315-4	230V3~/400V3~	6,8/3,9	17	2,1	0	100	150	200	250	(D)/(Y)
DKEX 355-6	230V3~/400V3~	6,4/3,7	0	1,8	0	0	0	0	0	(D)/(Y)
DVEX 315D4	400V3~	0,23	0	0,12						(Y)
DVEX 315D4	230V3~	0,4	0	0,12						(D)
DVEX 355D4	230V3~/400V3~	0,81/0,47	12	0,26						(D)/(Y)
DVEX 400D4	230V3~/400V3~	1,31/0,76	12	0,39						(D)/(Y)
DVEX 450D4	230/400V 3-fas	2,46/1,42	6	0,72						
DVEX 500D6	230V3~/400V3~	1,50/0,87	0	0,38						(D)/(Y)
DVEX 560D6	230V3~/400V3~	2,13/1,23	5	0,62						(D)/(Y)
DVEX 630D6	230V3~/400V3~	3,72/2,15	0	1,07						(D)/(Y)

^{*)} Współczynnik zwiększenia prądu silnika w stosunku do wartości prądu znamionowego przy regulacji obniżonym napięciem. Współczynnik pokazuje maksymalny prąd na jednym z biegów regulatora transformatorowego.

Regulator transformatorowy 5 stopniowy dostarcza dla poszczególnych biegów następujących napięć:

Bieg	1	2	3	4	5
Zasilanie: 3x230V	3x80V	3x105V	3x130V	3x160V	3x230V
Zasilanie: 3x400V	3x90V	3x140V	3x180V	3x230V	3x400V

Tłumaczenie oznaczeń i symboli na plakietce znamionowej wentylatora

- a- Znak CE
 - b- Numer akredytacji instytucji, która przyznała certyfikat ATEX
 - c- Numer przyznanego certyfikatu
 - d- Oznaczenie systemu certyfikacji: - certyfikat wydany zgodnie z systemem certyfikowania UE
 - e- Materiał/urządzenie przeciwwybuchowe
 - f- Klasa ochrony – „wysokie bezpieczeństwo”
 - g- Klasa ochrony: - „z zastosowaniem piasku”
 - h- Grupa eksplozyjna II (również IIA, IIB, IIC)
 - i- Klasa temperaturowa, maksymalna temperatura powierzchni wentylatora +200°C. Może być używany do mieszanin gazów z punktem zapłonu 200°C < T_i<300°C.
 - j- Logo dla urządzeń w wykonaniu przeciwwybuchowym.
 - k- Kategoria 2 ~strefa 1. Materiały palne obecne okazjonalnie podczas normalnej pracy.
- Ponadto obok tabliczki Ex naklejona jest plakietka produkcyjna zawierająca: datę produkcji, numer katalogowy produktu oraz numer produkcyjny

İmalatç

Ürünlerimiz, yürürlükteki EC standart ve yönetmeliklerine uygun olarak üretilmektedir.



Systemair AB
Industrivägen 3
SE-73930 Skinnskatteberg
İSVEÇ
Tel : +46 222 440 00
Fax: +46 222 440 99

EC Uygunluk Bildirgesi

EC'nin ATEX Directive 94/9EC'de tanımlanan;

Santrifüj fan

Tip	Sertifika no	Otorite
EX 140-2	SP03ATEX3101x	SP *
EX 140-2C	SP03ATEX3101x	SP
EX 140-4	SP03ATEX3101x	SP
EX 140-4C	SP03ATEX3101x	SP
EX 180-4	SP03ATEX3101x	SP
EX 180-4C	SP03ATEX3101x	SP
EX 140-2	SP03ATEX3101x	SP

Dikdörtgen kanal fanı

Tip	Sertifika no	Otorite
KTEX 50-25-4	SP04ATEX3105x	SP *
KTEX 50-30-4	SP03ATEX3103x	SP
KTEX 60-30-4	SP04ATEX3107x	SP
KTEX 60-35-4	SP04ATEX3109X	SP
KTEX 70-40-6	SP04ATEX3111X	SP

Santrifüj fan

Tip	Sertifika no	Otorite
DKEX 225-4	SP04ATEX3106x	SP *
DKEX 250-4	SP03ATEX3104x	SP
DKEX 280-4	SP04ATEX3108x	SP
DKEX 315-4	SP04ATEX3110X	SP
DKEX 355-6	SP04ATEX3112X	SP

Çatı fanı

Tip	Sertifika no	Otorite
DVEX 315D4	SP04ATEX3113X	SP *
DVEX 315D4	SP07ATEX3129X	SP
DVEX 355D4	SP04ATEX3114X	SP
DVEX 355D4	SP07ATEX3130X	SP
DVEX 400D4	SP05ATEX3115X	SP
DVEX 400D4	SP07ATEX3131X	SP
DVEX 450D4	SP04ATEX3116X	SP
DVEX 450D4	SP07ATEX3132X	SP
DVEX 500D6	SP04ATEX3117X	SP
DVEX 500D6	SP07ATEX3133X	SP
DVEX 560D6	SP05ATEX3118X	SP
DVEX 560D6	SP07ATEX3134X	SP
DVEX 630D6	SP04ATEX3119X	SP
DVEX 630D6	SP07ATEX3135X	SP

*SP= İsveç Ulusal Test ve Araştırma Enstitüsü, SE-501 15 BORÅS, Sweden.

Aşağıdaki ilgili standartlar yürürlüktedir:

EN 50 014: 1997+A1 +A2
Patlamaya mahal vermeyen elektriksel ekipmanlar, genel gereklilikler.

EN 50 019: 2000
Arttırılmış güvenlik 'e' dizaynı.

Üretici, yukarıda belirtilen ürünlerin ; aşağıda listelenen Makina yönetmeliği, Düşük voltaj yönetmeliği ve EMC yönetmeliğine uygun olduğunu garanti eder.

EN 1127-1

Patlayıcı atmosfer – patlamaya mahal vermeyecek şekilde önleme ve koruma.

EN 13463-1:2001

Potansiyel patlayıcı atmosferler için elektriksel olmayan ekipmanlar.

EC Uygunluk Bildirgesi

EC'nin Makina Yönetmeliği - 98/37/EC, Ek II B'de tanımlanan;

Bu fan, EC'nin Makina Yönetmeliğine uygun parçalardan önce kullanılmamalıdır.

Aşağıdaki ilgili standartlar yürürlüktedir:

EN 60 204-1

Makina güvenliği; makinaların elektrikli ekipmanları; genel gereklilikler.

EN 60 034-1

Dönen elektrikli makinalar; 1. bölüm: Elektrik sınıfları ve performansları.

SS-EN ISO 12100-1:2003.

Makina güvenliği. Temel kabuller, genel dizayn prensipleri.

EN 294 ; Makina güvenliği; ekipmanın uç noktalarının tehlikeli bölgelerde kalmaması için gerekli güvenli mesafeler.

Dikkat! EN 294, sadece ekipmanın bağlantılı güvenlik cihazları ile sevk edilmesi durumunda geçerlidir. Sistem üreticisi EN 294 ile uygunluğundan sorumludur.

EC Uygunluk Bildirgesi

EC'nin EMC Yönetmeliği – 89/336/EEC, 92/31/EEC ve 93/68/EEC 'de tanımlanan;

Aşağıdaki ilgili standartlar yürürlüktedir:

EN 61000-6-3 ; Elektromanyetik uyum - Jenerik Emisyon – Bölüm 1: Evlerde, ofis, dükkan ve benzeri ortamlarda genel gereklilikler.

EN 61000-6-2 ; Elektromanyetik uyum (EMC) - Bölüm 6-2: Endüstriyel ortamlarda genel gereklilikler.

Tam teknik dökümantasyon mevcuttur.
Skinnskatteberg, 08 Ağustos 2003



Mats Sándor
Teknik Müdür

Güvenlik Bilgileri

Montaj ve elektrik bağlantılarının yapılması ve devreye alma işleri sadece ehli kişiler tarafından ve bu dökümanda belirtilen gerekliliklere göre yapılmalıdır. EN 60079-14 standardına uygun montaj Yüksek Voltaj Yönetmeliğini karşılar. Fan kanadına temas etmesi/çarpması durumunda kıvılcım çıkartacak yabancı cisimlerden korunacak şekilde montajı yapılmalıdır. Egzoz edilen hava akımı içinde pas parçacıkları bulunmamalıdır. Egzoz edilen hava alüminyum ya da çelik malzemeden yapılmış fan gövdesi ve kanadına korozyon etkisi yapacak gazlardan oluşmamalıdır. Eğer fan kanala montaj edilmeyecekse, emiş ve/veya atış tarafına koruma ızgarası konulmalıdır. Montajdan sonra hareket eden hiçbir parçaya müdahale edilmemelidir (EN 294). Elektrik bağlantıları, terminal kutusundaki bağlantı şemasına, terminal bloğu ve kablolardaki işaretlemelere göre yapılmalıdır. Toprak koruması (PE) her zaman bağlanmalıdır. (Eğer statik elektrik riski var ise ayrı bir topraklama fanın gövdesine bağlanmalıdır). Fanlar patlayıcı atmosfer ortamlarında (EEx eq II T3 1-faz ve EEx e II T3 3-faz) ve bu gazların taşınmasında kullanılmaya uygundur, fakat direk gaz borularına, gaz kanallarına ve bacalarına bağlanmamalıdır. KTEX, DKEX and DVEX serisi fanlar **muhakkak** "PTB03ATEX3045" etiketli U-EK230E termistör korumasına (monitörüne) bağlanmalıdır. Monitör manuel resetli olup, fan motoru durduğunda üzerindeki indikatör ışığı yanar. U-EK230E **muhakkak** patlama riski (tehlikeli bölge) olan ortamın dışına monte edilmelidir.

DVEX serisi çatı fanı eğer tilt mekanizması opsiyonu ile monte edilmişse, bu mekanizmaya ancak patlayıcı atmosferin mevcut olmadığı durumda müdahale edilmelidir. Fanın kazara tilt olmasından korumak için (M6x10) vida ile sabitlenmelidir. (450 modelinden büyüklerde 2 adet vida !). Buna ilaveten, alt kaide desteğinde (M8x16) emniyet vidası kullanılmaktadır **Şekil 13**. **Fan kapağı-gövdesi titizlikle (el yardımı ile) kapatılmalıdır, serbest bırakılmamalı ve düşürülmemelidir.**

EX 140/180 serisi fanlar, **muhakkak** aşırı yüklenmeye karşı koruyan ve 15 saniyede akımı kesen motor koruma (akım rölesi) donanımı ile monte edilmelidir. (Fan kanadına gelen yabancı cisim ve engellemeler vb. durumlar sonucunda motor mekanik olarak zorlanabilir ve aşırı akım çekebilir.) Akım kesme zamanının belirlenmesi için; 20°C ortamda $2,9 < IA/IN < 8$ için kalkış anında çekilen akım değerinin fonksiyonu olarak, motor koruma maksatlı zaman ve akım değerlerini gösteren bir eğri olması gerekir. Motor koruma zamanının eğrideki değerden %20 fazla sapmasına müsaade edilmemektedir. Tablo-1'de belirtilen motor akım değerlerinde kalmak için, gene aynı tabloda belirtilen kanalda olması gereken minimum statik basınç değerlerine riayet edilmelidir. Fanlar dış ortama montaj edilmemelidir (DVEX serisi hariç). Güvenlik aksesuarları (örneğin motor korumalar, güvenlik ızgaraları vb.) bağlantıları ve montajları sökülmemeli ve kısa devre yapılmamalıdır. Bakım, servis ve onarım işlemlerinden önce elektrik beslemesi sigortadan kapatılmalı ve fan kanatlarının tamamen hareketsiz kalması beklenmelidir. **DİKKAT !** Fanın yaralanmalara sebep olabilecek keskin kenar ve köşeleri vardır. Kapakları açarken, bu durumları ve fan ve motorun ağır olabileceğini göze alarak dikkatli olun.

Taşıma ve Depolama

Bütün fanlar normal taşıma şartlarına uygun olarak fabrikada ambalajlanmıştır. Taşırken, fanların ve insanların zarar görmemesi için uygun kaldırma elemanları kullanın. Fanları kablolarından, elektrik bağlantı kutularından, fan kanatlarından veya iç kısmından tutarak kaldırmayın. Aşırı yük altında bırakmayın. Fanları, monte edilene kadar kuru, dış havadan ve kirden etkilenmeyeceği bir yerde muhafaza edin. Cihazlar uzun depolama sürelerine maruz kalmamalıdır (maksimum bir yıl tavsiye edilmektedir). Fanı monte etmeden önce motor yataklarını ve sesisini kontrol edin.

Montaj

Montajdan önce muhakkak güvenlik bilgilerini dikkate alın. Montaj ; tehlikeli bölgelerin SIND-FS 1983:2 'ye göre sınıflandırılması esasını öngörür. Ayrıca, geçerli kurallar (İsveç'te SRVFS 2004:7 uygulanır) ve sınıflandırma standartlarına (CENELEC'e bağlı Avrupa ülkeleri EN 60079-10 'u uygular) göre sınıflandırılmasını gerektirir.

Hava akımı içinde pas tozları ve parçacıkları olmamalıdır. Motor koruma monitörü "PTB03ATEX3045" etiketli olmalıdır.

EX 140/180 fanlarda hız kontrolü yapılamaz. **DİKKAT !** Plastik malzemeden elektrik terminal kutularında metal kablo rakoru, pl vb kullanmayın. IEC 529'a uygun IP54 koruma sınıfını karşılayacak terminal kutusu ve sızdırmaz contalı rakortar kullanın. Ortam sıcaklığı ve taşınan havanın sıcaklığı -20°C ila +40°C arasında olmalıdır. EX140/180 fanlar direk güneş ışığına maruz kalacak yerlere monte edilmemelidir. Fanların montajı kanala veya binaya titreşim iletmeyecek şekilde yapılmalıdır (uygun fleks bağlantı ve kelepçeler Systemair'den temin edilebilir). Fanın sabit ve sağlam monte edildiğinden emin olun. Aksi belirtilmediği sürece fan her açıda monte edilebilir. Fan, servis ve bakımı kolay olacak şekilde monte edilmelidir. Sesin kanalda yayılmasını önlemek için susturucular (Systemair'den temin edilebilir) kullanılabilir. Fanlar belirtilen sıcaklık değerlerinde sürekli çalışabilir.

Kanal montajında emiş tarafında IP 20 (max. 12mm aralıklı sağlam tel örgü) ve atış ağzında IP 10 (max. 50mm aralıklı sağlam tel örgü) sınıfında koruma yapılması emniyet açısından önemlidir. Tüm kablo uçları muhakkak bağlanmalıdır ve çevre ortamından mekanik olarak korunmalıdır. EX 180-4(440V 3-faz 60Hz) model fanın kablosu min. 100°C'ye dayanacak şekilde olmalıdır. EX 140/180 fanlarına bağlanan elektrik kablosu 6.5 - 12 mm çapında ve kesiti min. 2.5 mm² olmalıdır. EX-fanların ana beslemesi sabit olmalıdır. Şasenin topraklanması durumunda sayfa 2'deki **Şekil 8**'e bakınız. Toprak kablosu (b) plakanın iki parçası arasına tutturulmalıdır. EX140/180 fanlarda FKX (2 adet) montaj ayağı aksesuarı Systemair'den temin edilebilir. Ayaklar motora monte edilmelidir. **Şekil 7**.

Çalıştırma & İşletme

Çalıştırmadan önce muhakkak güvenlik bilgilerini dikkate alın.

İlk çalıştırmadan önce, aşağıdaki kontrolleri yapın:
- Ölçülen değerler fanın etiketinde belirtilen değerleri geçmemelidir.

Çekilen akım fan basınç altında tutulduğunda (kanaldaki basınç kaybı artırıldığında) düşebilir. Elektrik bağlantısı etiket değerlerine göre yapılmalıdır. Müsaade edilen voltaj sapması max. +6%, min. -10%'dur (IEC 38). Belirtilen voltajda akım değeri aşılmalıdır. KTEX, DKEX ve DVEX fanlarında voltaj düşürülerek hız kontrolü yapıldığında, fanlar belirtilen voltaj oranının %15 ila %100 arasında çalıştırılmalıdır. Kanalda istenilen minimum statik basınç değerinin altına düşülmemelidir. (Tablo 1'i inceleyiniz). Fanlarda frekans sürücüsü veya invertör kullanılamaz.

Çalıştırdıktan sonra aşağıdaki kontrolleri yapın:

- Motor korumasının çalıştığına,
- Fanın dönüş yönünün belirtilen ok yönünde olduğuna,
- Motorun sessiz çalıştığına,
- Hareket eden parçaların (fan çarkı) gövdeye ya da koruma ızgaralarına temas etmediğine,
- Sistemde fazladan on/off anahtar ve kontrol ekipmanının kullanılmadığına dikkat edin.

Fanlar sürekli çalışmaya müsaittir.

Bakım, Servis ve Onarım

Bakımdan önce muhakkak güvenlik bilgilerini dikkate alın.

Fanı durdurmadan önce çevrede EX (patlayıcı) atmosfer olmadığından emin olun. Fan yılda en az bir kere, yataklara olabilecek hasar ve balansın bozulmasına karşı temizlenmelidir. Yataklar anormal ve ahenksiz sese duyarlı olarak kontrol edilmelidir. Yatak ömrü en az 40.000 saat öngörülmekte olup, bu zaman sıcaklık ve çalışma koşullarına bağlıdır. Yatakların içindeki yağ kurduğunda, rulmanı muhakkak değiştirin ve Systemair yetkilisine başvurun. Tek fazlı motorlarda havalandırma boşluklarını kaplayan bir miktar yapışkan bant vardır. Kırılan kapasitörler muhakkak Systemair personeli tarafından değiştirilmelidir. Kanala veya fanın önüne koyacağınız filtre bakım ve temizleme periyotlarını uzatacağıdır. Fanı temizlerken yüksek basınçlı (buhar jeti vb.) aletler kullanmayın. Kanatlardaki balans ağırlıklarının yer değiştirmesine ve kopmadığına, kanatların eğriliği çarpılmadığına emin olun. Anormal sesin olup olmadığını dinleyin. Fan çarkının gövde içinde sıkışmadığına, rahat döndüğüne ve motor korumanın devreyi kesip kesmediğine emin olun.

Dış ortama monte edilen fanlarda; eğer fan nemli atmosfer ortamında uzun süre çalışmadan kalıyorsa, içinde yoğunlaşan nemini atması için haftada en az iki saat çalıştırılmalıdır.

ATEX onaylı fanlarda, onarılan parçaların tekrar kullanılmasına ve muadil parçalarla değişimine müsaade edilmemektedir. Fanın tahrip olması

durumunda komple yenisi ile değiştirilmesi gerekmektedir.

Tablo 1

Model	Voltaj (V)	Akım (A)	I _{max} Hız regülasyonunda akımdaki artış (%) *1)	Motor Gücü (kW)	Kanalda olması gerekli min. karşı statik basınç (Pa)					Bağlantı şeması
					Step 1*2	Step 2	Step 3	Step 4	Step 5	
EX 140-2	230V3~/400V3~	2,25/1,28	-	0,70						10
EX 140-2C	230V1~	3,0	-	0,69						9
EX 140-4	230V3~/400V3~	0,66/0,38	-	0,13						10
EX140-4C	230V1~	0,63	-	0,12						9
EX 180-4	230V3~/400V3~	0,74/0,43	-	0,19						10
EX 180-4C	230V1~	0,91	-	0,19						9
KTEX 50-25-4	400V3~	0,85	12	0,49	0	0	0	30	90	(Y)
KTEX 50-25-4	230V3~	1,47	12	0,49	0	0	0	30	90	(D)
KTEX 50-30-4	400V3~	1,8	6	0,9	0	40	60	90	140	(Y)
KTEX 50-30-4	230V3~	3,1	6	0,9	0	40	60	90	140	(D)
KTEX 60-30-4	230V3~/400V3~	3,8/2,2	9	1,3	0	75	115	165	225	(D)/(Y)
KTEX 60-35-4	230V3~/400V3~	6,8/3,9	17	2,1	0	70	100	150	220	(D)/(Y)
KTEX 70-40-6	230V3~/400V3~	6,4/3,7	0	1,8	0	0	0	0	0	(D)/(Y)
DKEX 225-4	400V3~	0,85	12	0,49	0	0	0	30	90	(Y)
DKEX 225-4	230V3~	1,47	12	0,49	0	0	0	30	90	(D)
DKEX 250-4	400V3~	1,8	6	0,9	0	40	70	100	145	(Y)
DKEX 250-4	230V3~	3,1	6	0,9	0	40	70	100	145	(D)
DKEX 280-4	230V3~/400V3~	3,8/2,2	9	1,3	0	70	120	200	280	(D)/(Y)
DKEX 315-4	230V3~/400V3~	6,8/3,9	17	2,1	0	100	150	200	250	(D)/(Y)
DKEX 355-6	230V3~/400V3~	6,4/3,7	0	1,8	0	0	0	0	0	(D)/(Y)
DVEX 315D4	400V3~	0,23	0	0,12						(Y)
DVEX 315D4	230V3~	0,4	0	0,12						(D)
DVEX 355D4	230V3~/400V3~	0,81/0,47	12	0,26						(D)/(Y)
DVEX 400D4	230V3~/400V3~	1,31/0,76	12	0,39						(D)/(Y)
DVEX 450D4	230V3~/400V3~	2,46/1,42	6	0,72						(D)/(Y)
DVEX 500D6	230V3~/400V3~	1,50/0,87	0	0,38						(D)/(Y)
DVEX 560D6	230V3~/400V3~	2,13/1,23	5	0,62						(D)/(Y)
DVEX 630D6	230V3~/400V3~	3,72/2,15	0	1,07						(D)/(Y)

*1) Akım, etikette belirtilen değerden yüzde (%) olarak artış gösterebilir (çekilen güç, motor etiketinde belirtilen değeri geçmediği sürece).

*2)	Voltaj Kademeleri	1	2	3	4	5
	Voltaj 230V	80	105	130	160	230
	Voltaj 400V	90	140	180	230	400

Fan etiketindeki semboller (şekil 12'deki)

- a - Avrupa Birliği Serbest Ticareti
- b - SP için bildirilen gövde numarası
- c - Sertifika numarası
- d - Avrupa standartlarında sertifikalandırılmış
- e - Patlamaya mahal vermeyen ekipman (ex-proof)
- f - Koruma sınıfı ~ yüksek güvenlik
- g - Koruma sınıfı ~ kumlu alet
- h - Patlama grubu II (IIA, IIB and IIC)
- i - Sıcaklık sınıfı, parlama sıcaklığı 200°C'nin üzerindeki karışım gazları için yüzey sıcaklığı maksimum 200°C olacak fan kullanılabilir.
- j - Patlamaya mahal vermeyen ekipman logosu
- k - Kategori 2 ~ bölge 1 ~ Normal kullanımda bazen yanıcı-tutuşur madde görülebilir bölge.
Etiketeki diğer işaretler; model numarası, imalat numarası ve imalat tarihi gibi bilgileri içerir.

Systemair AB
Industrivägen 3
SE-739 30 Skinnskatteberg
Phone +46 222 440 00
Fax +46 222 440 99
www.systemair.com